



SRIPro™ SPOT REPAIR GUN

Order No. **803311** Model No. **SRIPRO-635G-10**

Includes:

- 1.0 mm fluid tip
- TS1 high efficiency & HS1 HVLP air caps
- Starter set of 9-oz. disposable cups:
 - 4 lids and liners
 - 1 reusable sleeve and lid
 - 1 gun adapter
 - 1 measuring guide
 - 1 300-micron barrel paint filter
 - 1 125-micron disk filter
- 3 oz. plastic cups
- Wrench and spray lube
- 4 colored identification rings

U.S. PATENT NOS. 6,820,824 AND 7,374,111 OWNED BY 3M INNOVATIVE PROPERTIES CO. ADDITIONAL U.S. PATENTS: NOS. 7,380,680; 7,354,074; 7,353,964; 7,350,418; 7,344,040; 7,263,893; 7,165,732; 7,086,549.



* Waterborne compatible when using a plastic or disposable cup system.



SRIPro Small Gun • BIG Performance

Comfort and balance

- 2-finger trigger

Excellent atomization of solvent and waterborne materials

Versatile!

- ¼" to 9" fan pattern for everything from spot repairs to door jambs, bumpers, small panels, and motorcycle tanks

Balanced air valve for smooth triggering and control during fading and blending

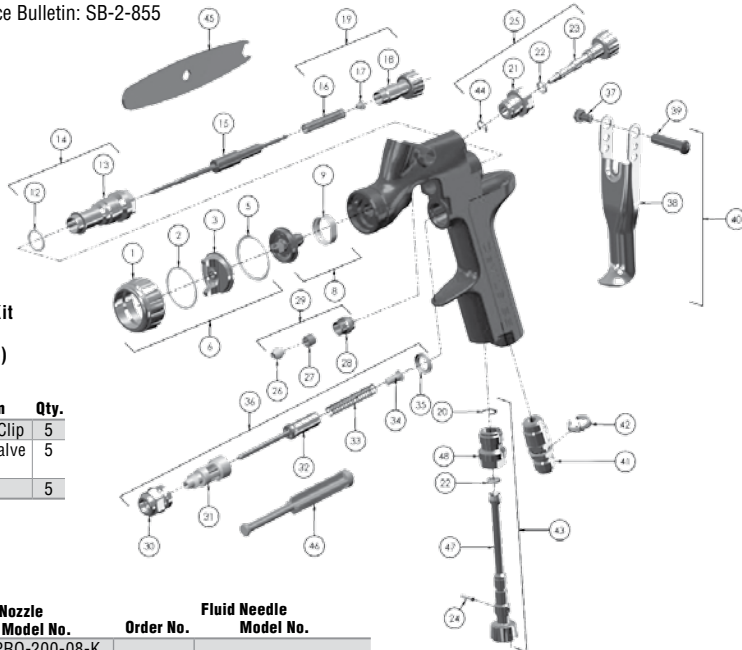
- Eliminates the "kick" normally felt when triggering traditional guns

Self-adjusting, smooth action needle packing

SRIPro™ Spot Repair Gun Air Caps

HS1 air cap (HVLP)	Primers, base coats, clearcoats, single stage, and low VOC	Air Cap Pattern
	Air Cap Order No. 803296	¼ to 9"
	Air Cap Model No. SRIPRO-101-HS1 29 PSI inlet 4.8 CFM	
TS1 air cap (HE)	Base coats, clearcoats, primers, single stage, and low VOC	Air Cap Pattern
	Air Cap Order No. 803297	¼ to 9"
	Air Cap Model No. SRIPRO-100-TS1 29 PSI inlet 3.5 CFM	
Fluid tips	0.8 mm, 1.0 mm , 1.2 mm (Included tip size shown in bold)	

Refer to Service Bulletin: SB-2-855



† Seal & Pin Kit 192229 (GTI-428-K5)

Ref. No.	Description	Qty.
20	Retaining Clip	5
22	Spreader Valve Seal	5
24	Valve pin	5

Chart 1

Order No.	Fluid Nozzle Model No.	Order No.	Fluid Needle Model No.
803298*	SRIPRO-200-08-K	803302	SRIPRO-300-0810-K
803299*	SRIPRO-200-10-K		
803300*	SRIPRO-200-12-K	803303	SRIPRO-300-1214-K

*Includes 1 SRIPRO-2 separator

NOTE: When replacing the fluid nozzle or fluid needle, replace both at the same time. Torque to 80–90 in-lbs (9–10 Nm). Don't overtighten the fluid nozzle. Use SRI-50 6 mm wrench supplied with the gun and check with a torque wrench.

IMPORTANT NOTE: The SRIPro and older SRI fluid nozzles and air-caps ARE NOT INTERCHANGEABLE between the 2 models. Any attempt to fit fluid nozzles or caps onto the wrong spray gun may cause damage to the parts or the spray gun body and invalidate the warranty.

• Gun Repair Kit 702736

Ref. No.	Description	Qty.
12	Body Bushing Seal	1
17	Needle Spring Pad	1
20	Retaining Clip	1
22	Spreader Valve Seal	2
24	Valve pin	1
26	Needle Packing	1
27	Packing Spring	1
37	Trigger Stud Screw	1
39	Trigger Stud	1

Ref. No.	Order No.	Model No.	Description	Ind. Parts Req.
1			Air Cap Retaining Ring	1
2			Slip Ring	1
3			Air Cap	1
5		SRI-35-K	Retaining Ring Seal	1
6		See chart above	Air Cap & Ring	1
8		See Chart 1	Fluid Nozzle	1
9	803304	SRIPRO-2-K5	Separator	1
•12			Body Bushing Seal	1
13			Body Bushing	1
14	702728	702728	Body Bushing & Seal	1
15		See Chart 1	Fluid Needle	1
16			Needle Spring	1
•17			Needle Spring Pad	1
18			Fluid Adjusting Knob	1
19	803305	PRO-3-K	Fluid Adjusting Knob, Spring & Pad Kit	1
•20			Retaining Clip	1
21			Spreader Valve Body	1
•22			Spreader Valve Seal	2
23			Spreader Valve Adjusting Knob	1
•24			Valve Pin	1
25	803306	SRIPRO-401-K	Spreader Valve Assembly	1
•26			Needle Packing	1
•27			Packing Spring	1
28			Packing Nut	1
29	702731	702731	Packing, Spring & Packing Nut Kit	1
30			Air Valve Body	1
31			Air Valve Cage	1
32			Air Valve Poppet	1
33			Air Valve Spring	1
34			Air Valve Spring Pad	1
35	803307	SN-34-K5	Air Valve Seal	1
36	702732	702732	Air Valve Assembly	1
•37			Trigger Stud Screw (T20 Star)	1
38			Trigger	1
•39			Trigger Stud	1
40	803308	SN-42-K	Trigger, Stud & Screw Kit	1
41	803309	SN-40-K	Air Inlet	1
42	702735	702735	Color ID Ring Kit (4 colors)	1
43	803310	PRO-404-K	Airflow Valve	1
44			Circlip	1
45			Wrench (kit of 2)	1
46			Air Valve Service Tool (included in 702732)	1
47			Air Flow Valve Knob	1