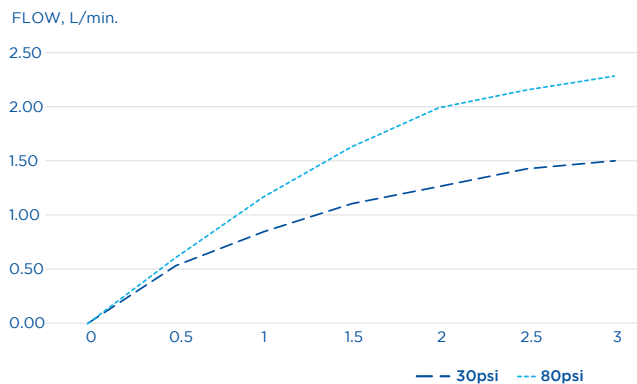




RIA-6 Inline Externally Adjustable Restrictor

This product takes the best features of our RIL-6 and RIL-6-AJ and puts them into one product. The RIA-6 is a great durable solution for restricting the flow to your spray gun.



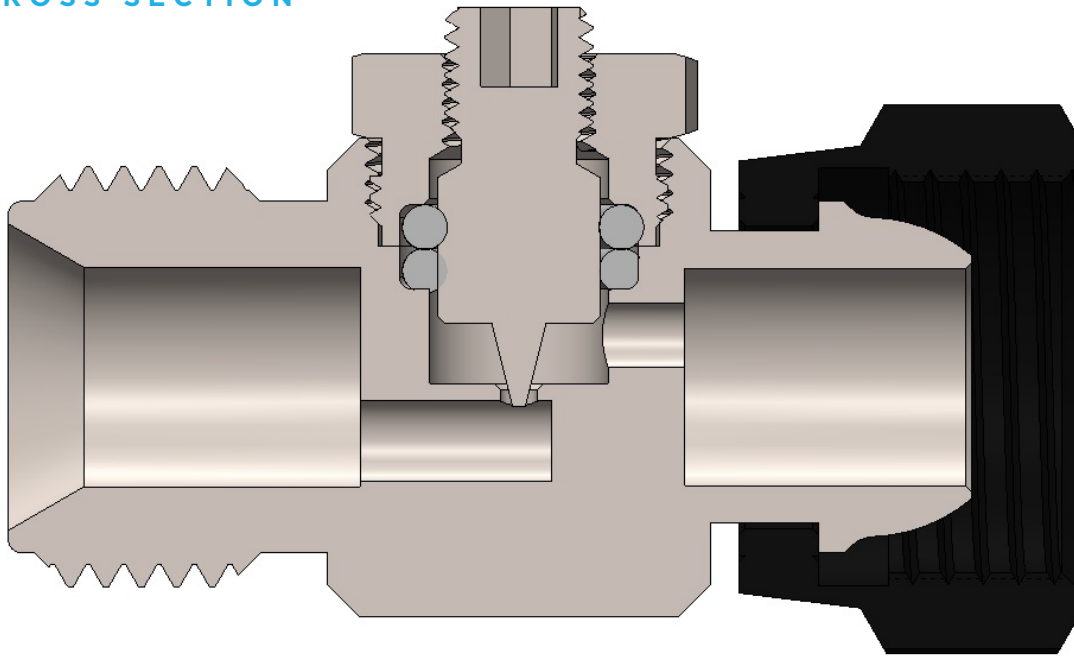
BENEFITS & FEATURES

- Stainless Steel and Silicone Free
- 3/8 NPS Male x Female
- Compact at 1.66" (42mm) OAL
- Lightweight at 2.24 oz (63.5g)
- Fine needle adjustment
- Externally adjustable (with 3mm allen key included)

NOTES

- This new product will eventually replace the RIL-6-AJ and RIL-6B-AJ.
- A BSP version and a circulating version are coming soon.
- This can be considered a direct replacement for the RIL-6 and RIL-6-AJ.

CROSS SECTION



RIA-6

Inline Externally Adjustable Restrictor
3/8 NPS Male x Female

The brands you trust

Carlisle Fluid Technologies, a wholly-owned subsidiary of Carlisle Companies Incorporated, is dedicated to providing customers industry-leading solutions for the supply, control, application and curing of a wide range of paints, powders, sealants, adhesives and other application materials. From manual finishing equipment, to highly automated mass-production installations, the company solves customers' material application challenges through the combination of product innovation and decades of technical expertise. Focused on efficient, cost-effective global solutions for the transportation and other industrial markets, the company offers an expanding collection of pioneering product brands – *BGK*[™], *Binks*[®], *DeVilbiss*[®], *Hosco*[®], *ms*[®] and *Ransburg*[®].

Let's start a conversation

We want to work together to help answer your application challenges. To learn more about what we can offer, visit our website at **Carlisleleft.com** or call us today.



[youtube.com/CarlisleFluidTechnologiesGlobal](https://www.youtube.com/CarlisleFluidTechnologiesGlobal)



[@CarlisleFT](https://twitter.com/CarlisleFT)



[linkedin.com/company/carlisle-fluid-technologies](https://www.linkedin.com/company/carlisle-fluid-technologies)



North America
EMEA
China
Japan

1.800.992.4657
44.0.1202.571111
86.21.33730108
81.45.785.6421

marketing@carlisleleft.com
marketing-uk@carlisleleft.com
mkt_cn@carlisleleft.com
jp-rans-tokyosales@carlisleleft.com

