



# CENTURY LEL™ INTERNAL MIX GUN ASSEMBLIES

**Models: 102-3800 Wet Out  
102-3825 Chop  
102-3835 Filled Resin Chop**



SPECIFICATIONS	
Catalyst inlet size:	7/16 – 20 JIC (#4)
Resin inlet size:	1/4" or 3/8" NPS (m)
Solvent inlet size:	1/4" NPS (m)
Chopper air inlet size:	1/4" NPS (m)
Maximum fluid pressure:	3500 psi [241 bar]
Weight:	2.4 lbs [1.1 kg]
Wetted parts materials of construction:	Anodized Aluminum, Stainless Steel, UHMW, PTFE, Silicone Rubber, EPR, Nylon, Tungsten Carbide

**⚠ WARNING**

Before using the Century LEL gun, be sure to read and understand all warnings included in this part sheet.

The Binks Century LEL (Low Emission Laminator) guns are high-performance “nonatomizing” internal-mix application devices for the application of polyester and other catalyzed resins. All Binks branded FRP applicators indicated as “LEL” or “LEL technology,” utilize impinging fluid streams at low pressure to generate low velocity resin and gel-coat fans and are therefore defined by the EPA (NESHAP 40 CFR part 63) as non-atomizing.

If the Century LEL gun is used according to the instructions listed in this part sheet it will provide the user with higher transfer efficiency, a cleaner work space, and help enable MACT compliance by allowing the use of non-atomized mechanical application UEF factors when calculating plant emissions.

In this part sheet, the words **WARNING**, **CAUTION** and **NOTE** are used to emphasize important safety information as follows:

## **WARNING**

Hazards or unsafe practices which could result in severe personal injury, death or substantial property damage.

## **CAUTION**

Hazards or unsafe practices which could result in minor personal injury, product or property damage.

## **NOTE**

Important installation, operation or maintenance information.

## **WARNING**

### Read the following warnings before using this equipment.



#### READ THE MANUAL

Before operating finishing equipment, read and understand all safety, operation and maintenance information provided in the operation manual.



#### OPERATOR TRAINING

All personnel must be trained before operating finishing equipment.



#### EQUIPMENT MISUSE HAZARD

Equipment misuse can cause the equipment to rupture, malfunction, or start unexpectedly and result in serious injury.



#### LOCK OUT / TAG-OUT

Failure to de-energize, disconnect, lock out and tag-out all power sources before performing equipment maintenance could cause serious injury or death.



#### AUTOMATIC EQUIPMENT

Automatic equipment may start suddenly without warning.



#### PRESSURE RELIEF PROCEDURE

Always follow the pressure relief procedure in the equipment instruction manual.



#### KEEP EQUIPMENT GUARDS IN PLACE

Do not operate the equipment if the safety devices have been removed.



#### KNOW WHERE AND HOW TO SHUT OFF THE EQUIPMENT IN CASE OF AN EMERGENCY



#### WEAR SAFETY GLASSES

Failure to wear safety glasses with side shields could result in serious eye injury or blindness.



#### INSPECT THE EQUIPMENT DAILY

Inspect the equipment for worn or broken parts on a daily basis. Do not operate the equipment if you are uncertain about its condition.



#### NEVER MODIFY THE EQUIPMENT

Do not modify the equipment unless the manufacturer provides written approval.



#### NOISE HAZARD

You may be injured by loud noise. Hearing protection may be required when using this equipment.



#### PROJECTILE HAZARD

You may be injured by venting liquids or gases that are released under pressure, or flying debris.



#### PINCH POINT HAZARD

Moving parts can crush and cut. Pinch points are basically any areas where there are moving parts.



#### STATIC CHARGE

Fluid may develop a static charge that must be dissipated through proper grounding of the equipment, objects to be sprayed and all other electrically conductive objects in the dispensing area. Improper grounding or sparks can cause a hazardous condition and result in fire, explosion or electric shock and other serious injury.



#### WEAR RESPIRATOR

Toxic fumes can cause serious injury or death if inhaled. Wear a respirator as recommended by the fluid and solvent manufacturer's Safety Data Sheet.



#### TOXIC FLUID & FUMES

Hazardous fluid or toxic fumes can cause serious injury or death if splashed in the eyes or on the skin, inhaled, injected or swallowed. LEARN and KNOW the specific hazards or the fluids you are using.



#### FIRE AND EXPLOSION HAZARD

Improper equipment grounding, poor ventilation, open flame or sparks can cause a hazardous condition and result in fire or explosion and serious injury.



#### MEDICAL ALERT

Any injury caused by high pressure liquid can be serious. If you are injured or even suspect an injury:

- Go to an emergency room immediately.
- Tell the doctor you suspect an injection injury.
- Show the doctor this medical information or the medical alert card provided with your airless spray equipment.
- Tell the doctor what kind of fluid you were spraying or dispensing.



#### GET IMMEDIATE MEDICAL ATTENTION

To prevent contact with the fluid, please note the following:

- Never point the gun/valve at anyone or any part of the body.
- Never put hand or fingers over the spray tip.
- Never attempt to stop or deflect fluid leaks with your hand, body, glove or rag.
- Always have the tip guard on the spray gun before spraying.
- Always ensure that the gun trigger safety operates before spraying.



#### PROP 65 WARNING

WARNING: This product contains chemicals known to the State of California to cause cancer and birth defects or other reproductive harm.

**IT IS THE RESPONSIBILITY OF THE EMPLOYER TO PROVIDE THIS INFORMATION TO THE OPERATOR OF THE EQUIPMENT. FOR FURTHER SAFETY INFORMATION REGARDING THIS EQUIPMENT, SEE THE GENERAL EQUIPMENT SAFETY BOOKLET (77-5300).**

Binks reserves the right to modify equipment specification without prior notice.

**⚠ WARNING**

**When using Binks equipment with Methyl Ethyl Ketone Peroxide in Plasticizer OBSERVE the following precautions**

**CORROSIVE TO THE EYES – MAY CAUSE BLINDNESS. MAY BE FATAL IF SWALLOWED. STRONG IRRITANT. CONTAMINATION OR HEAT MAY LEAD TO FIRE OR EXPLOSIVE DECOMPOSITION. COMBUSTIBLE.**



Do not handle or use until safety precautions concerning Methyl Ethyl Ketone Peroxides in the Manufacturer's literature have been read and understood.

Contact with foreign materials, especially strong mineral acids, metals (including certain equipment and containers) or metal salts, or exposure to heat above 135° F (57° C) may lead to violent decomposition, releasing flammable vapors which may self-ignite.

Do not get into eyes or on skin or clothing. Wear eye and skin protection when handling. Avoid breathing mist. Use with adequate ventilation. Store only in the original closed container. Wash hands thoroughly after handling. Protect from direct sunlight, heat, sparks and other sources of ignition. Prevent contamination with foreign materials. Do not add to hot materials.

**FIRST AID****EYES**

Wash immediately (seconds count) with water and continue washing for at least 15 minutes. Obtain medical attention.

**SKIN**

Wash with soap and water. Remove contaminated clothes and shoes and again wash thoroughly with soap and water.

**SWALLOWING**

Administer large quantities of milk or water. Obtain immediate medical attention for lavage.

To maintain the chemical activity store below 100° F (38° C).

In case of fire, use water spray, foam or dry chemical.

In case of spill or leak, absorb or blend with inert, non-combustible material. Put in suitable container. Dispose of immediately in accordance with federal, state and local regulations.

Do not reuse container as some of the original hazardous contents may still be present.

Follow the above precautions in handling.

## READ & UNDERSTAND THE MATERIAL SAFETY DATA SHEET FROM MATERIAL SUPPLIER

**⚠ WARNING**

**Binks Century "LEL" GUNS are constructed with components of aluminum alloy and SHOULD NOT be used with any Halogenated Hydrocarbon solvents.**

HALOGENATED HYDROCARBON SOLVENTS CAN CAUSE AN EXPLOSION WHEN IN CONTACT WITH ALUMINUM COMPONENTS OF A PRESSURIZED OR CLOSED FLUID SYSTEM (PUMPS, HEATERS, FILTERS, etc.)

The same possibility of an explosion is possible with the galvanized coatings in pressure tanks. The possibility of a non-flammable explosion increases greatly at high operating temperatures.

The explosion could be of sufficient strength to cause bodily injury, death, and substantial property damage.

Cleaning agents, coatings, or adhesives may contain HALOGENATED HYDROCARBON SOLVENTS. CHECK WITH YOUR SOLVENT AND PAINT SUPPLIER.

If you are now using a Halogenated Hydrocarbon Solvent in a pressurized fluid system with aluminum components or galvanized wetted parts, the following steps should be taken immediately:

1. Remove all pressure; drain and disconnect the entire system.
2. Inspect and replace all corroded parts.
3. Contact your solvent supplier for a NON-HALOGENATED SOLVENT to flush and clean the system of all residues.

HALOGENATED Solvents are defined as any hydrocarbon solvent containing any of the following elements:

CHLORINE	"CHLORO" (Cl)
BROMINE	"BROMO" (Br)
FLUORINE	"FLUORO" (F)
IODINE	"IODO" (I)

Of those listed, the Chlorinated Solvents will most likely be the type used as a cleaning agent or solvent in an adhesive or coating. The most common are:

METHYLENE CHLORIDE  
1,1,1, TRICHLORETHANE  
PERCHLORETHYLENE

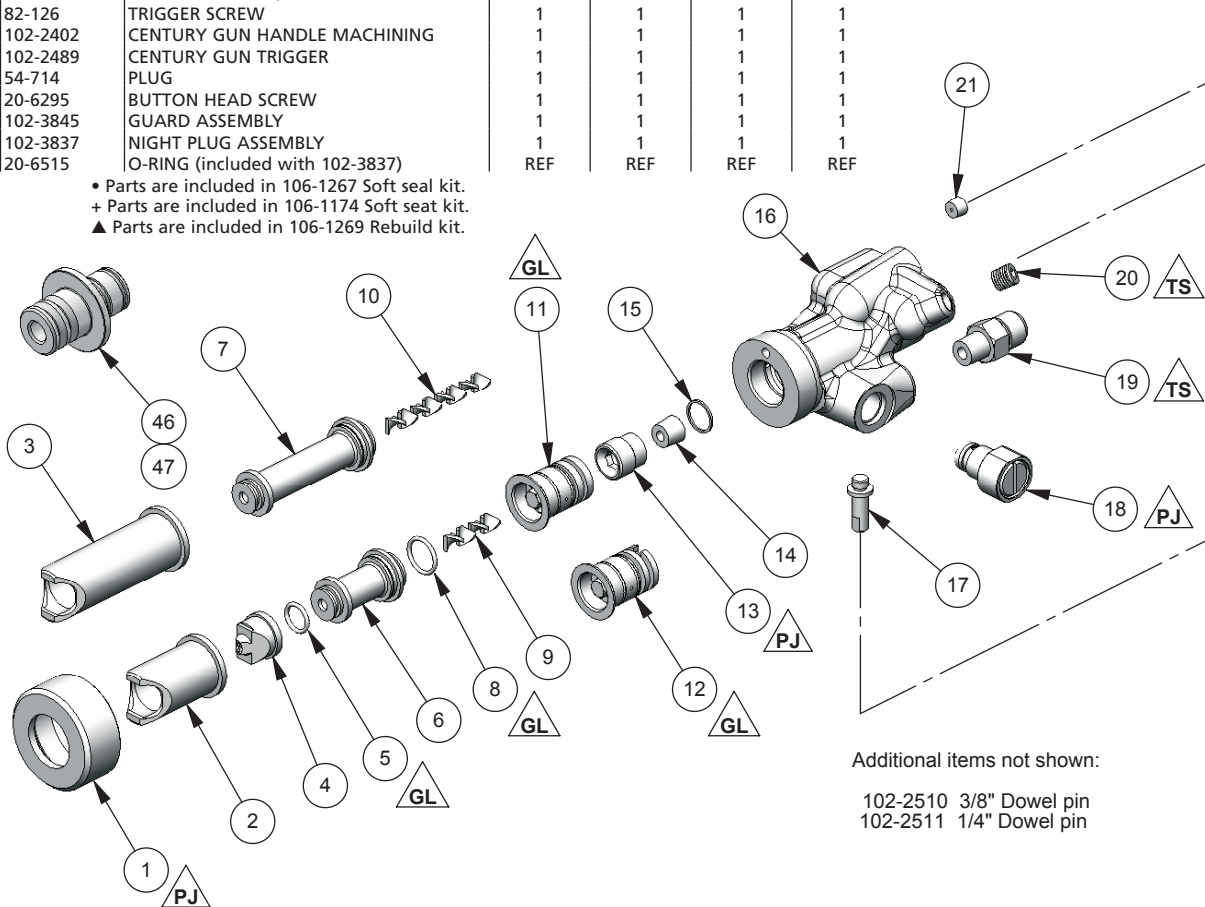
Although stabilizers have been added to some of the solvents to reduce their corrosive effect, **we are aware of none that will prevent these solvents from reacting under all conditions with aluminum components or galvanized coatings.**

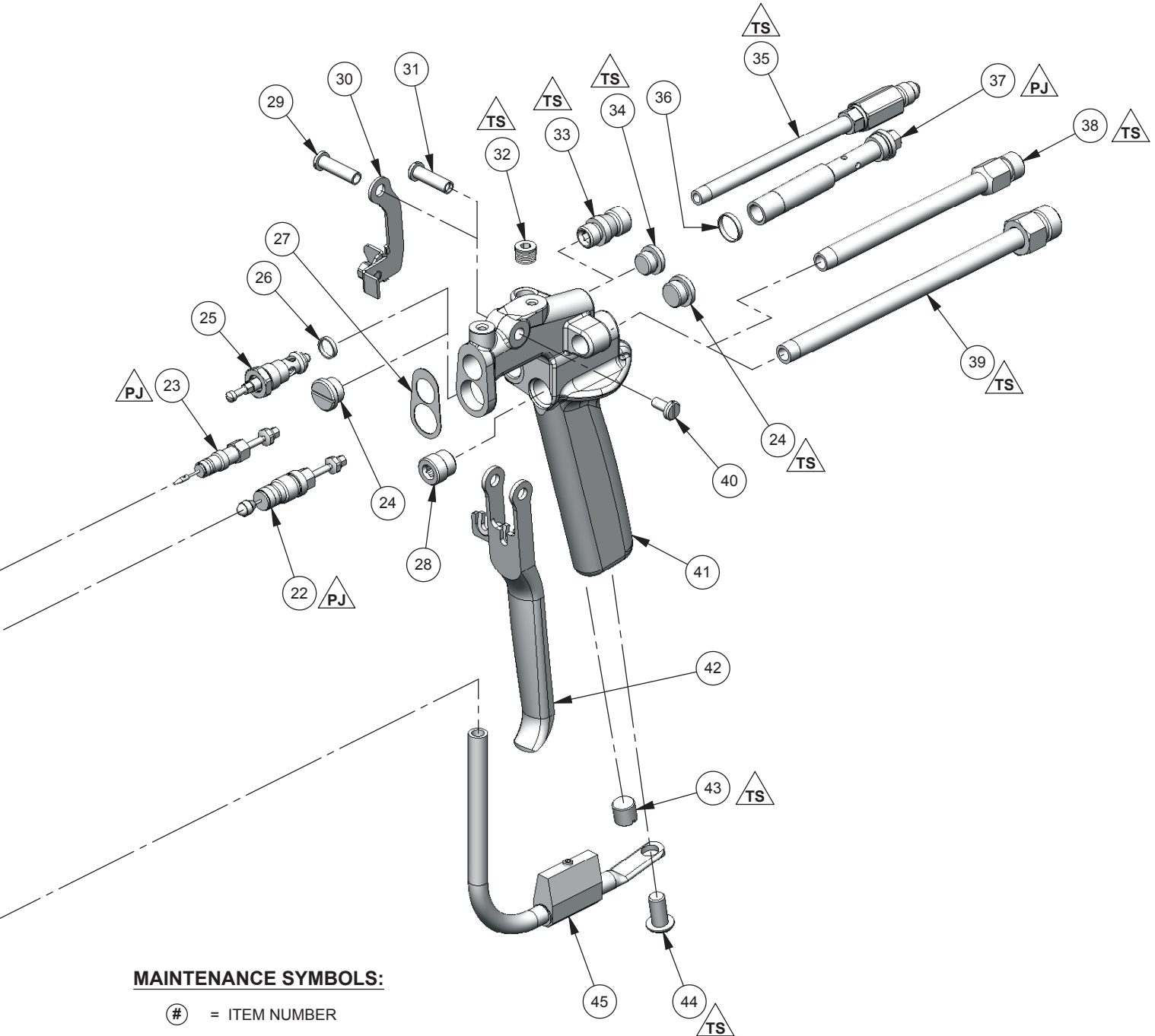
Previous use of the solvents under pressurized conditions, without incident, does not necessarily indicate that it can be considered safe.

## CENTURY LEL™ INTERNAL MIX GUN ASSEMBLIES




ITEM NO.	PART NO.	DESCRIPTION	102-3800-1	102-3800-2	102-3825	102-3835
1	102-3809	LEL NOZZLE RETAINING RING	1	1	1	1
2	102-3813	TIP RETAINER, 1 INCH	1	-	-	-
3	102-3815	TIP RETAINER, 2 INCH	-	1	-	-
4		CENTURY LEL NOZZLE	REF	REF	REF	REF
5	20-5919	•▲ O-RING	1	1	-	-
6	102-3812	STATIC MIXER HOUSING, 1 INCH	1	-	-	-
7	102-3814	STATIC MIXER HOUSING, 2 INCH	-	1	-	-
8	20-6856	•▲ O-RING	1	1	-	-
9	102-3839	1/4" DIA STATIC MIXER ELEMENT, 1 INCH	1	-	-	-
10	102-3779	1/4" DIA STATIC MIXER ELEMENT, 2 INCH	-	1	-	-
11	102-3802	CATALYST VALVE ASSEMBLY	1	1	1	-
12	102-3844	CATALYST VALVE ASSEMBLY (FILLED)	-	-	-	1
13	102-3831	HEAD INSERT	1	1	1	1
14a	102-2447	+▲ RESIN SEAT, PLASTIC	1	1	1	-
14b	102-2446	RESIN SEAT, CARBIDE	-	-	-	1
15	102-2505	•▲ HEAD INSERT SEAL	1	1	1	1
16	102-3801	HEAD MACHINING	1	1	1	1
17	102-2404	GUARD STUD	1	1	1	1
18	102-3820	FLUSH VALVE ASSEMBLY	1	1	1	1
19	72-792	DM NIPPLE, 1/8 NPT X 1/4 NPT SS	1	1	1	1
20	20-5051	PIPE PLUG, 1/16 NPT SS	1	1	1	1
21	102-2448	+▲ CATALYST SEAT	1	1	1	1
22	102-2410	▲ RESIN NEEDLE ASSEMBLY	1	1	1	1
23	102-2420	▲ CATALYST NEEDLE ASSEMBLY	1	1	1	1
24	102-3833	HANDLE PLUG	2	2	1	1
25	102-2621	CHOPPER VALVE ASSEMBLY	-	-	1	1
26	102-3335	SEAL	-	-	1	1
27	102-2427	▲ HEAD GASKET	1	1	1	1
28	54-3504	PLUG	1	1	1	1
29	54-1020	TRIGGER STUD, LONG	-	-	1	1
30	102-2470	CHOPPER TRIGGER ASSEMBLY	-	-	1	1
31	102-2465	TRIGGER STUD, SHORT	1	1	-	-
32	20-3111	PIPE PLUG, 1/8 NPT SS	1	1	-	-
33	102-2467	CHOPPER AIR INLET FITTING	-	-	1	1
34	102-3834	PLUG	1	1	-	-
35	102-3836	CATALYST INLET & FILTER ASSEMBLY	1	1	1	1
36	102-2408	•▲ RETAINER GASKET	1	1	1	1
37	102-3608	HEAD BOLT	1	1	1	1
38	102-2435	RESIN INLET TUBE, 1/4" NPS	1	1	1	-
39	102-2478	RESIN INLET TUBE, 3/8" NPS	-	-	-	1
40	82-126	TRIGGER SCREW	1	1	1	1
41	102-2402	CENTURY GUN HANDLE MACHINING	1	1	1	1
42	102-2489	CENTURY GUN TRIGGER	1	1	1	1
43	54-714	PLUG	1	1	1	1
44	20-6295	BUTTON HEAD SCREW	1	1	1	1
45	102-3845	GUARD ASSEMBLY	1	1	1	1
46	102-3837	NIGHT PLUG ASSEMBLY	1	1	1	1
47	20-6515	O-RING (included with 102-3837)	REF	REF	REF	REF

- Parts are included in 106-1267 Soft seal kit.
- + Parts are included in 106-1174 Soft seat kit.
- ▲ Parts are included in 106-1269 Rebuild kit.





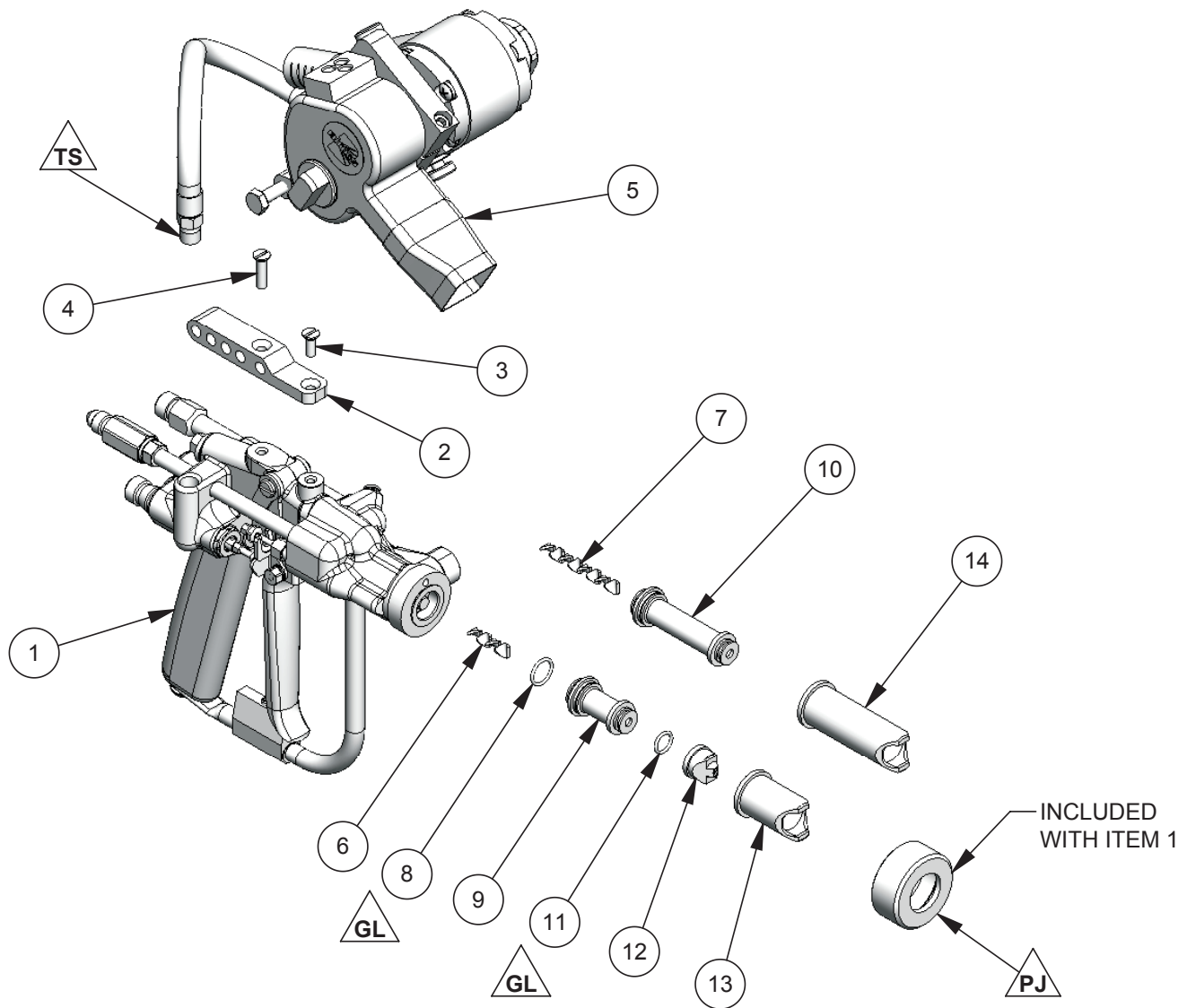
**MAINTENANCE SYMBOLS:**

- # = ITEM NUMBER
-  = PETROLEUM JELLY
-  = THREAD SEALANT  
*PTFE tape*
-  = GUN LUBE  
*SSL-10*

**Recommended tool list:**

- Open ended wrenches: 3/16, 7/32, 5/16, 3/8, 7/16, 9/16, 11/16
- Hex key wrenches: 3/16, 1/4, 5/32
- Flat screwdrivers
- Awl or other pointed instrument

## CENTURY LEL™ INTERNAL MIX CHOPPER GUN ASSEMBLIES



ITEM NO.	PART NO.	DESCRIPTION	102-3825-1	102-3825-2	102-3835-1	102-3835-2	PART SHEET
1	102-3825	CHOPPER GUN SUB-ASSEMBLY	1	1	-	-	
1	102-3835	CHOPPER GUN SUB-ASSEMBLY, FILLED RESIN	-	-	1	1	
2	102-2661	CHOPPER MOUNT BRACKET	1	1	1	1	
3	20-6154	FLAT HEAD SCREW	1	1	1	1	
4	20-1374	FLAT HEAD SCREW	1	1	1	1	
5	201-510	CHOPPER ASSEMBLY	1	1	1	1	77-2475
6	102-3839	STATIC MIXER ELEMENT, 1 INCH	1	-	1	-	
7	102-3779	STATIC MIXER ELEMENT, 2 INCH	-	1	-	1	
8	20-6856	•▲ O-RING	1	1	1	1	
9	102-3812	STATIC MIXER HOUSING, 1 INCH	1	-	1	-	
10	102-3814	STATIC MIXER HOUSING, 2 INCH	-	1	-	1	
11	20-5919	•▲ O-RING	1	1	1	1	
12		CENTURY LEL NOZZLE	REF	REF	REF	REF	
13	102-3813	TIP RETAINER, 1 INCH	1	-	1	-	
14	102-3815	TIP RETAINER, 2 INCH	-	1	-	1	

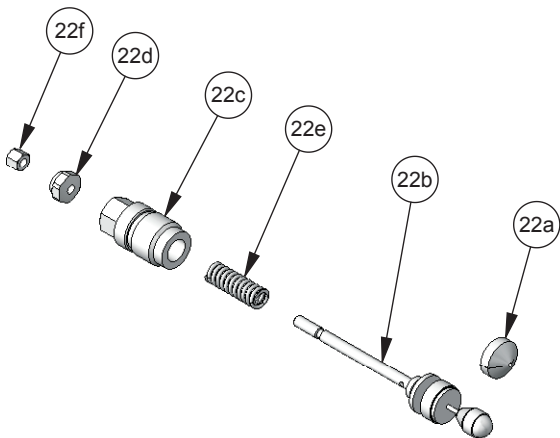
• Parts are included in 106-1267 Soft seal kit.  
 ▲ Parts are included in 106-1269 Rebuild kit.

**SUBASSEMBLIES**

**102-2410 RESIN NEEDLE ASSEMBLY**

Item 22

When ordering, please specify Part No.



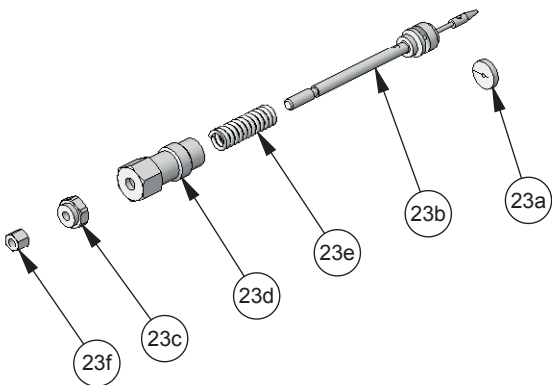
ITEM NO.	PART NO.	DESCRIPTION	QTY.
22a	102-2411	• PACKING .....	1
22b	102-2412	RESIN NEEDLE SUB-ASM .....	1
22c	102-2419	RESIN PACKING NUT .....	1
22d	102-2428	CONVEX NUT (5/16 HEX) .....	1
22e	102-2613	SPRING .....	1
22f	52-487	LOCKNUT .....	1

- Parts are included in 106-1267 Soft seal kit.
- 102-2410 is also included within 106-1269 Rebuild kit.

**102-2420 CATALYST NEEDLE ASSEMBLY**

Item 23

When ordering, please specify Part No.



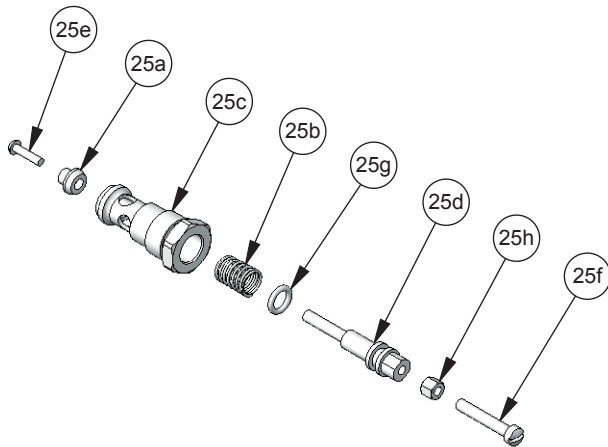
ITEM NO.	PART NO.	DESCRIPTION	QTY.
23a	102-2421	• PACKING .....	1
23b	102-2422	CATALYST NEEDLE SUB-ASM .....	1
23c	102-2428	CONVEX NUT (5/16 HEX) .....	1
23d	102-2429	CATALYST PACKING NUT .....	1
23e	102-2613	SPRING .....	1
23f	52-487	LOCKNUT .....	1

- Parts are included in 106-1267 Soft seal kit.
- 102-2420 is also included within 106-1269 Rebuild kit.

**102-2621 CHOPPER VALVE ASSEMBLY**

Item 25

When ordering, please specify Part No.



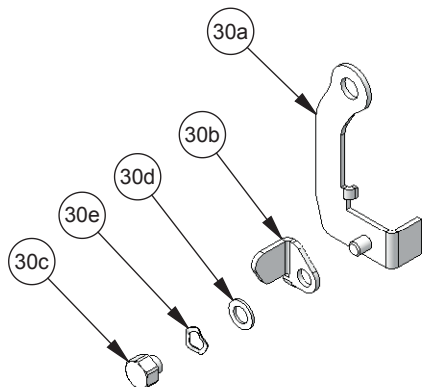
ITEM NO.	PART NO.	DESCRIPTION	QTY.
25a	102-2464	VALVE .....	1
25b	102-2649	CHOPPER VALVE SPRING .....	1
25c	102-2651	CHOPPER VALVE BODY .....	1
25d	102-2652	VALVE STEM .....	1
25e	20-6502	ROUND HEAD SCREW .....	1
25f	20-6631	FILLISTER HEAD SCREW .....	1
25g	20-6663	O-RING .....	1
25h	52-487	LOCKNUT .....	1

**SUBASSEMBLIES**

**102-2470 CHOPPER TRIGGER ASSEMBLY**

Item 30

When ordering, please specify Part No.

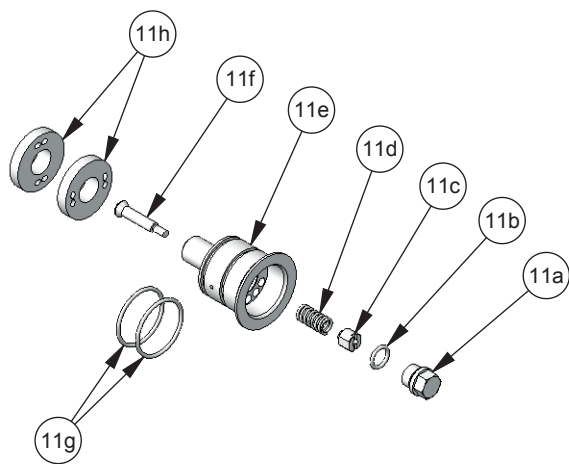


ITEM NO.	PART NO.	DESCRIPTION	QTY.
30a	102-2471	CHOPPER TRIGGER.....	1
30b	102-2472	ON/OFF SELECTOR.....	1
30c	102-2473	RETAINER SCREW.....	1
30d	102-2474	LOW FRICTION WASHER.....	1
30e	102-2475	WAVE WASHER.....	1

**102-3802 CATALYST VALVE ASSEMBLY**

Item 11

When ordering, please specify Part No.



Note orientation of items 11h.

ITEM NO.	PART NO.	DESCRIPTION	QTY.
11a	102-3804	VALVE BODY PLUG.....	1
11b	20-6854	▲ O-RING.....	1
11c	102-3806	SPRING RETAINER.....	1
11d	102-3807	SPRING.....	1
11e	102-3803	VALVE BODY.....	1
11f	102-3805	CATALYST VALVE PIN.....	1
11g	20-6855	▲ O-RING.....	2
11h	102-3808	IMPINGEMENT BAFFLE.....	2

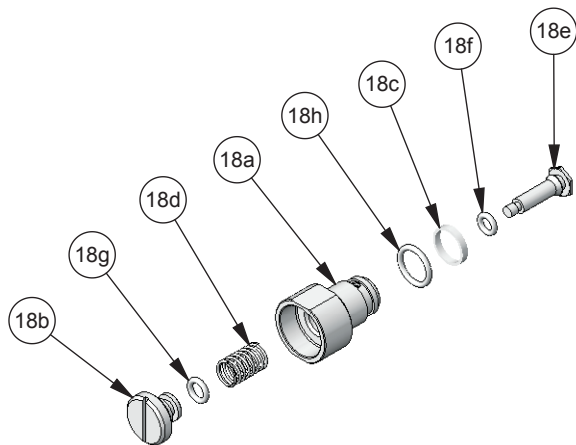
• Parts are included in 106-1267 Soft seal kit.

▲ Parts are included in 106-1269 Rebuild kit.

**102-3820 FLUSH VALVE ASSEMBLY**

Item 18

When ordering, please specify Part No.



ITEM NO.	PART NO.	DESCRIPTION	QTY.
18a	102-3821	VALVE BODY.....	1
18b	102-3822	BUTTON.....	1
18c	207-11547	• GASKET.....	1
18d	207-12201	SPRING.....	1
18e	207-12204	STEM.....	1
18f	237-66	• O-RING.....	1
18g	237-88	• O-RING.....	1
18h	237-91	• O-RING.....	1

• Parts are included in 106-1268 Flush valve repair kit.

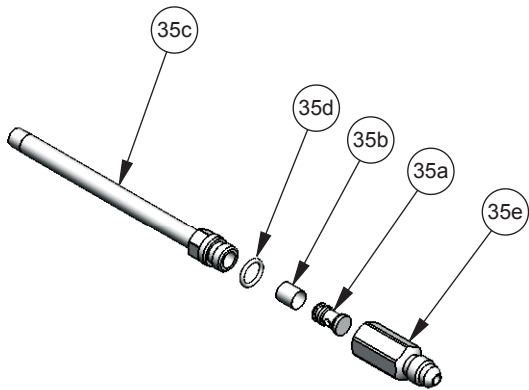


**SUBASSEMBLIES**

**102-3836 CATALYST INLET/FILTER ASSEMBLY**

Item 35

When ordering, please specify Part No.



ITEM NO.	PART NO.	DESCRIPTION	QTY.
35a	54-1263	CATALYST STRAINER SUPPORT .....	1
35b	102-2181	▲ CATALYST INLET SCREEN .....	1
35c	102-2442	CATALYST INLET TUBE .....	1
35d	237-91	▲ O-RING .....	1
35e	207-12343	JIC #4 ADAPTER.....	1

- Parts are included in 106-1175 Catalyst filter repair kit.
- ▲ Parts are included in 106-1269 Rebuild kit.

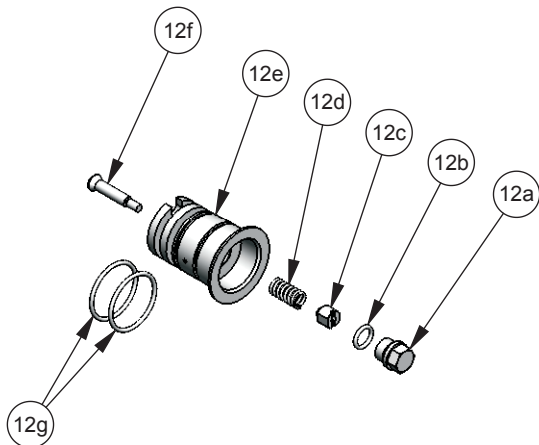
JIC #3 Adapter: 207-12212

1/4" NPS (m) Adapter: 102-2441

**102-3844 CATALYST VALVE ASSEMBLY, FILLED RESIN**

Item 12

When ordering, please specify Part No.



ITEM NO.	PART NO.	DESCRIPTION	QTY.
12a	102-3804	VALVE BODY PLUG .....	1
12b	20-6854	▲ O-RING .....	1
12c	102-3806	SPRING RETAINER.....	1
12d	102-3807	SPRING .....	1
12e	102-3838	VALVE BODY .....	1
12f	102-3805	CATALYST VALVE PIN .....	1
12g	20-6855	▲ O-RING .....	2

- Parts are included in 106-1267 Soft seal kit.
- ▲ Parts are included in 106-1269 Rebuild kit.

106-1267 SOFT SEAL KIT			106-1268 FLUSH VALVE REPAIR KIT			106-1269 REBUILD KIT		
PART NO.	DESCRIPTION	QTY.	PART NO.	DESCRIPTION	QTY.	PART NO.	DESCRIPTION	QTY.
102-2408	RETAINER GASKET .....	1	207-11547	GASKET.....	1	20-5919	O-RING .....	1
102-2411	RESIN PACKING GUIDE.....	1	237-66	O-RING.....	1	20-6854	O-RING .....	1
102-2421	CATALYST PACKING .....	1	237-88	O-RING.....	1	20-6855	O-RING .....	2
102-2427	HEAD GASKET .....	1	237-91	O-RING.....	1	20-6856	O-RING .....	1
102-2505	HEAD ASSEMBLY SEAL.....	1				102-2181	SCREEN.....	1
106-1268	FLUSH VALVE REPAIR KIT ..	1				102-2408	RETAINER GASKET.....	1
20-5919	O-RING .....	1				102-2410	RESIN NEEDLE ASSLY.....	1
20-6854	O-RING .....	1				102-2420	CATALYST NEEDLE ASSY ...	1
20-6855	O-RING .....	2				102-2427	HEAD GASKET .....	1
20-6856	O-RING .....	1				102-2447	RESIN SEAT.....	1
						102-2448	CATALYST SEAT.....	1
						102-2505	SEAL .....	1
						106-1268	FLUSH VALVE REPAIR KIT..	1
						237-91	O-RING .....	1

## BINKS CENTURY LEL™ INTERNAL MIX GUN SUGGESTED SPARE PARTS AND KITS

PART NO.	DESCRIPTION	QTY. PER PKG.
118-8XXY	FLUID TIP (SIZE DETERMINED BY APPLICATION) XX = orifice size in thousandths of inch Y = orifice angle: N = Narrow, S = Standard, W= Wide	1
106-1267	Soft Seal Kit (o-rings & gaskets)	See description page 9
106-1268	Flush valve repair kit	See description page 9
106-1269	Rebuild kit	See description page 9
106-1174	Soft seat kit	10 resin, 5 catalyst
106-1175	Catalyst filter repair kit (o-ring, screen)	5 sets
102-3839-K6	1" static mixer elements	6
102-3779-K6	2" static mixer elements	6

### MOST O-RINGS AND SEALS ARE AVAILABLE IN MULTI-PACKS

PART NO.	DESCRIPTION	QTY. PER PKG.
102-2408-K5	RETAINER GASKET	5
102-2427-K5	HEAD GASKET	5
102-2505-K5	HEAD INSERT SEAL	5
102-3335-K5	SEAL	5
20-6854-K5	O-RING (SILICONE)	5
20-6855-K10	O-RING (SILICONE)	10
20-6856-K5	O-RING (SILICONE)	5
20-5919-K5	O-RING (EPR)	5
207-11547-K5	GASKET	5
237-66-K5	O-RING (EPR)	5
20-6515-K10	O-RING (EPR)	10
237-88-K5	O-RING (SILICONE)	5
237-91-K5	O-RING (SILICONE)	5
102-2411-K5	RESIN NEEDLE PACKING	5
102-2421-K5	CATALYST NEEDLE PACKING	5
20-6663-K5	O-RING (BUNA)	5

### STATIC MIXER HOUSING KITS

PART NO.	DESCRIPTION	KITS CONTAIN
102-3840	1" STATIC MIX KIT	STATIC MIXER HOUSING, TIP RETAINER, STATIC MIXER, O-RINGS
102-3841	2" STATIC MIX KIT	

### MIXER HOUSING SUB-ASSEMBLIES

PART NO.	DESCRIPTION	SUB-ASSEMBLIES CONTAIN
102-3842	1" MIXER HOUSING ASSEMBLY	STATIC MIXER HOUSING, O-RINGS
102-3843	2" MIXER HOUSING ASSEMBLY	

## CENTURY LEL™ INTERNAL MIX GUN ASSEMBLIES

Your new Binks Century LEL gun will give you excellent performance as long as it is handled properly. Read over these sections before operating the gun.

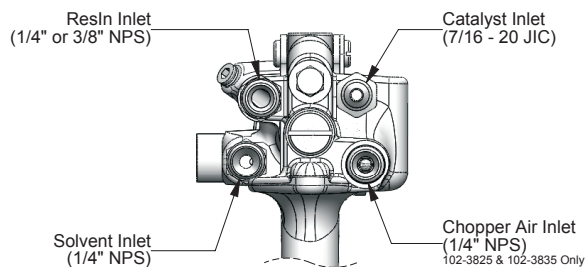
### NOTE

**Whenever the gun is not in operation set the trigger lock by rotating the trigger (42) as far forward as it will go and then rotating the locking block in its upward orientation.**

### SET-UP INSTRUCTIONS:

1. Connect the air hose to the cutter air inlet fitting (33) if a fiberglass chopper is being used. Disregard this step if a cutter is not being used.
2. Connect the resin hose to the resin inlet fitting (38 or 39) and securely tighten.
3. Connect the high pressure catalyst hose to the catalyst inlet/filter housing (35) and securely tighten.
4. Connect the solvent flush hose to the male connector (19) and securely tighten.

#### REAR VIEW OF GUN HANDLE



### SOLVENT FLUSH SET-UP:

1. Turn all ball valves to the closed position.
2. Connect the main air line to the system's main air inlet.
3. Fill the solvent flush tank with a suitable solvent as recommended by your chemical supplier for your application.
4. Securely fasten the pressure tank cover and open the solvent flush "air" ball valve, and slowly adjust the solvent tank air regulator to 40 psi (2.7 bar). Open the solvent ball valve at the tank, supplying solvent to the gun.
5. Remove the tip retainer, mixer housing, catalyst valve assembly, and related parts (items 1 through 12) from the gun head. Pointing the gun down and into a container, test flush by pushing the small button on the flush valve assembly (18). Solvent will flow through the gun head.

### CATALYST PRIMING AND SET-UP:

1. Disconnect the catalyst pump from the resin pump.
  - A. Binks Unison pump  
Disengage the pins from the hub by pulling out the yoke and drive assembly.
  - B. Binks Super Slave pump assembly  
Remove the pin from the "percentage" lever/cross bar that connects the catalyst pump rod-end bearing.
2. Attach the catalyst supply hose.  
Attach the catalyst pick-up and cap assembly to the catalyst bottle.

3. Prime the catalyst pump.

#### A. Binks Unison

Adjust the catalyst percentage using the catalyst adjustment knob on the end of the yoke. Turn the knob at the front of the yoke assembly in a circular pattern causing the pump rod to reciprocate. Holding the gun over a suitable container, pull the trigger of the gun to relieve trapped air and prime the system with catalyst. Continue the motion of turning the knob in conjunction with triggering the gun until catalyst is seen coming out from the front of the gun head (16). At this time, all trapped air is purged and the catalyst is primed.

#### B. Binks Super Slave

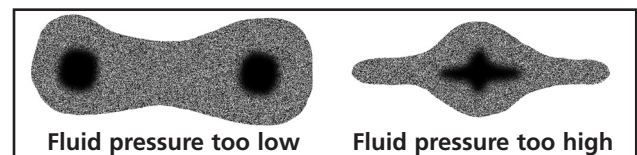
1. Holding the gun over a suitable container, pull the gun trigger open and begin to manually reciprocate the catalyst pump rod to prime catalyst through the system and relieve trapped air. Continue this motion until catalyst can be seen coming out of the gun head (16). At this time, all trapped air is purged and the catalyst is primed.
2. Solvent flush the remaining catalyst within the gun head (16).
3. **IMPORTANT:** Install the night plug assembly (46) and retaining ring (1) at this time.

### RESIN PRIMING AND SET-UP:

1. The catalyst pump at this time must still be disengaged / disconnected from the resin pump.
2. Connect siphon/pick-up tubes to the resin pump, and insert the tube into the resin drum.
3. Adjust the resin pump air regulator to approximately 25 to 30 psi (2 bar), and slowly open the regulator ball valve. The pump will begin to cycle. As the pump is cycling, point the gun head into a grounded container and pull the gun trigger. Hold the gun trigger in the open position until resin comes out of the gun head (16).
4. Solvent flush the gun.
5. Engage the trigger lock.
6. Connect the catalyst pump.
7. At this time, the system is primed. Set the resin pump air regulator to approximately 40-45 psi (3 bar).

### OPERATION:

1. Ensure the trigger lock is engaged. Install the catalyst valve assembly, the mixer housing, tip, tip retainer, and related parts (items 1-12) onto the gun head.
2. Disengage the trigger lock. Pull trigger to observe spray pattern. A very narrow pattern or very heavy "tails" (see illustration) normally indicate too low fluid pressure for the tip being used. Gradually increase the fluid pressure until tails diminish. If increasing the fluid pressure results in too high flow, try a smaller tip.
3. Too high fluid pressure (see illustration) will result in overspray, misting of the resin and increased emissions, possibly resulting in non-compliant operation. Decrease the fluid pressure until correct pattern is observed.



## CENTURY LEL™ INTERNAL MIX GUN ASSEMBLIES

4. Proper distance between gun and mold is 12-18 inches (30-45 cm). Longer distances result in uncontrolled spray and higher emissions.
5. LEL guns are either on or off. You cannot feather with LEL guns as you can with air-atomizing guns.
6. The material deposited on the mold should always be even, and each stroke should overlap the previous stroke by half or less. Uniform coverage is best accomplished by “cross-hatching” strokes.

### CHOPPER TRIGGER OPERATION (102-3825 & 102-3835)

The Century LEL gun is equipped with a special chopper trigger (30). This device allows simple on/off capabilities plus the ability to run/load the chopper without triggering the gun at all. To set the chopper trigger to its “on” position rotate the on/off selector (30b) as far clockwise as it will go. To set the chopper trigger to its “off” position simply rotate the on/off selector as far counterclockwise as it will go. To run the chopper without triggering the gun and, with the gun in your right hand, set the on/off selector to “on”, place your right index finger on the trigger pad of the chopper trigger sub-assembly (30a) and pull back on the chopper trigger until the chopper air valve (25) is engaged.

### SHUT-DOWN:

1. Shut off air at the system’s main air inlet ball valve.
2. Relieve catalyst pressure by opening the catalyst relief valve, located on the catalyst manifold block or the catalyst pump.

### NOTE

**Located at the Binks Unison catalyst manifold is the catalyst pressure gauge and relief valve, (the Binks Super Slave catalyst pressure gauge and relief valve is located on the catalyst pump). The catalyst relief valve is factory set and should not be altered. The catalyst relief valves can vent pressure manually by pulling down on the black handle.**

3. Relieve resin pressure by opening the by-pass ball valve located at the resin pump or filter.
4. Engage trigger lock to prevent accidental trigger actuation.
5. Thoroughly flush solvent through the gun head, mixer housing, and tip.
6. Remove mixer housing with related parts. Remove spray tip and tip retainer from the mixer housing. Remove the static mixer element (8) from the mixer housing (4). Thoroughly clean parts.
7. Remove catalyst mixing valve (11 or 12) by gently prying it away from the gun head with a screwdriver blade. Rinse valve with solvent.
8. Install night plug (46) into the gun head (16). Secure night plug with retaining ring (1).
9. Hang the gun in a head-down position for storage overnight or longer.
10. **IMPORTANT:** do not allow parts to soak overnight in solvent as o-rings will swell. When re-installing parts be sure to lubricate o-rings with Binks Gunners Mate or DeVilbiss SSL-10 lubricants.

### GENERAL MAINTENANCE

**For Binks Super Slave units see part sheet 77-2485 for start-up, shut-down details.**

**For Binks Unison units see part sheet 77-2800 for start-up, shut-down details.**

### DAILY INSPECTION

1. Check the fluid needles (22, 23) for signs of material leakage. If leaks are present tighten fluid packing nuts until leakage stops. If leak does not stop replace the needle packing or needle.
2. Inspect the o-rings (5, 8, 11h, 12g) for wear or damage and replace if necessary.
3. Inspect system filters for build-up and clean if necessary.

### CLEANING THE LEL NOZZLE

1. Lock the trigger (42) by rotating the locking block (45) in its upward position.
2. Shut off pumps and air supply.
3. Release fluid pressure in entire system.
4. Unscrew the LEL nozzle retaining ring (1) and remove the tip retainer (2 or 3), and then the Century LEL nozzle (4).
5. Submerge the nozzle in solvent to remove any dry or hardened material.
6. Blow air through tip from front to back to remove any stuck particles. Hold tip to light to inspect orifice to verify it is clear.

### CATALYST INLET & FILTER ASSEMBLY

1. Shut off pumps and air supply.
2. Bleed pressure from the entire system.
3. Remove the catalyst hose from the catalyst inlet & filter assembly (35) on the gun.
4. Using a 9/16" wrench and a 7/16" wrench unscrew the material inlet adapter (35e) from the catalyst inlet tube (35c), revealing the catalyst inlet screen (35b).
5. Inspect the screen for build-up or damage. If necessary, unscrew the catalyst strainer support (35a) with your fingers and slide the catalyst inlet screen off, and clean or replace it.
6. Inspect the o-ring (35d) on the catalyst inlet tube for any cuts or tears and replace if necessary.
7. Reassemble in reverse order.

### OVERNIGHT SHUT-DOWN

1. Shut off pumping equipment (with the piston in its down position) and air supply.
2. Bleed pressure from entire system.
3. Remove the LEL nozzle retaining ring (1) and remove items 2 through 12.
4. Wipe off face of the gun head with a solvent-dampened rag.
5. Place the night plug assembly (46), o-ring end first, into the gun head. In many cases, lubricant will provide protection for o-rings and head during shutdown. Petroleum jelly placed in the head insert (13) helps keep residual resin from drying out.
6. Screw the LEL nozzle retaining ring back onto the gun head snugly against the night plug assembly. Do not over-tighten.
7. Clean the Century LEL nozzle (see above). Be sure to also clean out the static mixer housing (6 or 7), rinse the static mixer element (9 or 10), and flush the catalyst valve assembly (11 or 12). Inspect the o-rings for any signs of wear or damage, replace if necessary.

## CENTURY LEL™ INTERNAL MIX GUN ASSEMBLIES

### REPLACEMENT OF WORN PARTS

#### WARNING

**DO NOT DISASSEMBLE OR WORK ON THE BINKS CENTURY LEL GUN WITHOUT FIRST DOING THE FOLLOWING:**

1. Shut off the fluid pumps and air supply.
2. Release the fluid pressure in the gun and the entire system.
3. Remove the gun from fluid hoses.

**IF YOU DO NOT FOLLOW THESE STEPS YOU MAY INJURE YOURSELF AND/OR NEARBY PERSONNEL.**

### REPLACING THE CATALYST NEEDLE PACKING

1. Remove the button head screw (44) that retains the guard assembly (45) by using a 3/16" Allen wrench; remove the guard assembly.
2. Using two standard screwdrivers, remove the trigger stud (29 or 31), the trigger screw (40), the trigger (42), and the chopper trigger assembly (30), if applicable.
3. Unscrew the catalyst packing nut (23d) with a 3/8" wrench and pull the catalyst needle assembly (23) straight back until it comes out of the gun head. Be sure to pull the needle straight out without bending it up or down, or side to side as this will damage the needle.
4. Clean the needle assembly so that you may be able to clearly identify the packing (23a).
5. The packing is the only non-metal piece of the needle assembly and is white in color. Note its location and orientation on the wire of the needle. Cut the worn packing away with a sharp knife being sure not to scratch or deform any nearby parts.
6. Carefully spread the new packing apart, about 3/64" at the edge (this can be done easily with an X-acto type knife) and press the packing onto the wire of the needle assembly in the same location and orientation as noted in step 5. Gently squeeze the packing closed with fingers.
7. Slide the packing forward and back with your fingers to assure a proper fit onto the wire.
8. Reassemble in reverse order.

#### NOTE

**The cone face of the packing should point towards the tip of the needle assembly.**

### REPLACING THE CATALYST SEAT

1. Remove the button head screw (44) that retains the guard assembly (45) by using a 3/16" Allen wrench; remove the guard assembly.
2. Using two standard screwdrivers, remove the trigger stud (29 or 31), the trigger screw (40), the trigger (42), and the chopper trigger assembly (30), if applicable.
3. Using a 3/8" wrench or socket, remove the head bolt (37).
4. Slide the gun head (16) as far forward as it will go with your hands. Do not use excessive force.
5. Unscrew the catalyst packing nut (23d) with a 3/8" wrench and pull the catalyst needle assembly (23) straight back until it comes out of the gun head. Be sure to pull the needle straight out without bending it up or down, or side to side as this will cause the needle damage.

6. Use a #6 or #8 self-drilling wood screw and screw it into the catalyst seat (21) until the screw threads are fully engaged in the seat material. Pull the screw with pliers to remove the seat from the gun head. Ensure that you do not nick or scratch the walls of the hole. Once the seat is removed, discard it as it is no longer usable.
7. Put the new catalyst seat into the hole of the gun head that the catalyst needle assembly came out of. The small end of the catalyst seat must go in first. The seat should drop down into the gun head.
8. The seat now needs to be pressed into place, such that a tight fit is created between the catalyst seat and the walls of the gun head that retain it. Use a 1/4" diameter dowel (102-2511) to press the seat tight. Be careful not to scratch the walls of the gun head. A drill press or arbor press is recommended for this operation.
9. Reassemble in reverse order.

### REPLACING THE RESIN SEAT

1. Remove the LEL nozzle retaining ring (1) and then remove items 2 through 12 from the gun head.
2. Pull the trigger (42) to unseat the resin needle (22) from the resin seat (14). Lock the trigger open by twisting the locking block on the guard assembly (45) into its up position. Using a 1/4" hex key wrench, loosen the head insert about 3 turns, leaving about 3 or so turns engagement in the gun head.
3. Insert a 1/4" dowel pin (102-2511) into the front of the head insert (13) and use it to press the seat out of the head insert. Finish removing the head insert with the 1/4" hex key wrench, allowing the seat to fall out. Remove the head assembly seal (15) and replace with a new one.
4. Now place the front of the head insert against a flat, clean surface.
5. Put the new resin seat into the tapered hole of the head insert. The small end of the resin seat must go in first. The seat now needs to be pressed in place such that a tight fit is created between the resin seat and the walls of the head insert that retain it. Use a 3/8" diameter dowel pin (102-2510) to press the seat tight. A drill press or arbor press is recommended for this operation.
6. Reassemble in reverse order.

### REPLACING THE RESIN NEEDLE PACKING

1. Remove the button head screw (44) that retains the guard assembly (45) by using a 3/16" Allen wrench; remove the guard assembly.
2. Using two standard screwdrivers, remove the trigger stud (29 or 31), the trigger screw (40), the trigger (42), and the chopper trigger assembly (30), if applicable.
3. Using a 3/8" wrench or socket, remove the head bolt (37).
4. Slide the gun head (16) as far forward as it will go with your hands. Do not use excessive force.
5. Unscrew the resin packing nut (22c) with a 3/8" wrench and pull the resin needle assembly (22) straight back until it comes out of the gun head. Be sure to pull the needle straight out without bending it up or down, or side to side as this will cause the needle damage.
6. Clean the needle assembly so that you may be able to clearly identify the packing (22a).
7. The packing is the only non-metal piece of the needle assembly and is white in color. Note its location and

## CENTURY LEL™ INTERNAL MIX GUN ASSEMBLIES

orientation on the wire of the needle. Cut the worn packing away with a sharp knife being sure not to scratch or deform any nearby parts.

8. Carefully spread the new packing apart, about 3/64" at the edge (this can be done easily with an X-acto type knife) and press the packing onto the wire of the needle assembly in the same location and orientation as noted in step 6. Gently squeeze the packing closed with fingers.
9. Slide the packing forward and back with your fingers to assure a proper fit onto the wire.
10. Reassemble in reverse order.

### NOTE

The cone face of the packing should point towards the ball of the needle assembly.

### REPLACING THE RESIN NEEDLE ASSEMBLY

1. Repeat steps 1 through 5 from section "Replacing the Resin Needle Packing" above.
2. Replace worn needle assembly with new needle assembly. It is recommended to use petroleum jelly on the threads and around the spring before inserting into the gun head.
3. Reassemble in reverse order.

### REPLACING THE CATALYST NEEDLE ASSEMBLY

1. Repeat steps 1 through 3 from the section "Replacing the Catalyst Needle Packing" above.
2. Replace worn needle assembly with new needle assembly. It is recommended to use petroleum jelly on the threads and around the spring before inserting into the gun head.
3. Reassemble in reverse order.

### REPAIRING THE CHOPPER AIR VALVE ASSEMBLY

1. Repeat step 2 from section "Replacing the Resin Needle Packing" above.
2. Using a 9/16" wrench, remove the chopper valve assembly (25) and seal (26), from the handle (41).
3. Using a small screwdriver, remove the round head screw (25e) from the valve stem (25d).
4. Manually pull and remove the fillister head screw (25f), with its attached components from the chopper valve body (25c).
5. Remove and replace the o-ring (25g), from the valve stem.
6. Lubricate the o-ring and inside surface of the chopper valve body (25c) with petroleum jelly.
7. Reassemble the chopper air valve in the reverse order.

### NOTE

Periodic lubrication of the chopper air valve assembly is necessary to ensure smooth operation.

### REPAIRING THE FLUSH VALVE ASSEMBLY

1. Use an 11/16" wrench to remove the flush valve (18) from the gun head.
2. Remove the gasket (18c) from the gun head.
3. Hold the valve stem (18e) with a 5/16" wrench while unscrewing the button (18b) with a flat screwdriver.
4. Replace the valve o-rings (18f,g,h). Lubricate the o-rings with gun lube.
5. Reassemble the valve in reverse order. Test the valve assembly. It should move smoothly without sticking.
6. Place a new gasket (18c) into the gun head. Lubricate the valve threads with petroleum jelly and tighten the valve into the gun head, crushing the gasket.

### CLEANING / REPAIRING THE CATALYST MIXING VALVE ASSEMBLY

1. Remove the valve assembly (11 or 12) from the gun head.
2. Remove the plug (11a, 12a) from the valve body (11e, 12e).
3. Use a pair of small screwdrivers to remove the pin (11f, 12f), spring (11d, 12d), and spring retainer (11c, 12c).
4. Thoroughly clean the valve body (11e, 12e) and related parts.
5. 102-3802 ASSEMBLY ONLY: the baffles (11h) may be removed for cleaning or replacement. Note the orientation of the baffles when removing and reinstalling. The baffles are press fit to the valve body and require no lubrication or adhesive. To remove, carefully pry them away from the valve body with a screwdriver. To reinstall, simply press them onto the valve body with a socket or other hollow object.
6. Replace o-rings (11b, 11g, or 12b, 12g). Lube o-rings with gun lube.
7. Reassemble valve in reverse order.

### NOTE

The valve spring force is NOT adjustable. Different springs are necessary to change valve opening pressure. Consult your Binks representative for details.

**Product Description/Object of Declaration:** Century Series Spray Guns - 102-3600, 102-3650, 102-3655, 102-3665, 102-3800-x, 102-3825-x, 102-3835-x

**This Product is designed for use with:** Solvent and Water based Materials

**Suitable for use in hazardous area:** Zone 1

**Protection Level:** II 2 G X

**Notified body details and role:** Element Materials Technology. WN8 9PN UK  
Lodging of Technical file

**This Declaration of Conformity /incorporation is issued under the sole responsibility of the manufacturer:** Carlisle Fluid Technologies,  
320 Phillips Ave.,  
Toledo, OH 43612

**EU Declaration of Conformity**



**The object of the declaration described above is in conformity with the relevant Union harmonisation legislation:**

Machinery Directive 2006/42/EC  
ATEX Directive 2014/34/EU  
by complying with the following statutory documents and harmonized standards:  
EN ISO 12100:2010 Safety of Machinery - General Principles for Design  
EN 13463-1:2009 Non electrical equipment for use in potentially explosive atmospheres - Basic methods and requirements  
The object of the declaration described above is in conformity with the relevant Union harmonisation legislation: Directive 94/9/EC (until April 19th, 2016) and Directive 2014/34/EU (from April 20th, 2016)

Providing all conditions of safe use / installation stated within the product manuals have been complied with and also installed in accordance with any applicable local codes of practice.

Signed for and on behalf of  DJ Hasselschwert (Vice President: Global Product Development)  
Carlisle Fluid Technologies: 19-Apr-16 Toledo, OH 43612

4-3196R-1

## WARRANTY POLICY

Binks products are covered by Carlisle Fluid Technologies one year materials and workmanship limited warranty. The use of any parts or accessories, from a source other than Carlisle Fluid Technologies, will void all warranties. For specific warranty information please contact the closest Carlisle Fluid Technologies location listed below.

Carlisle Fluid Technologies reserves the right to modify equipment specifications without prior notice. DeVilbiss®, Ransburg®, MS®, BGK®, and Binks® are registered trademarks of Carlisle Fluid Technologies, Inc. ©2016 Carlisle Fluid Technologies, Inc. All rights reserved.



Binks is part of Carlisle Fluid Technologies, a global leader in innovative finishing technologies. For technical assistance or to locate an authorized distributor, contact one of our international sales and customer support locations.

### USA/Canada

info@carlisleleft.com  
Tel: 1-888-992-4657  
Fax: 1-888-246-5732

### Mexico

ventas@carlisleleft.com.mx  
Tel: 011 52 55 5321 2300  
Fax: 011 52 55 5310 4790

### Brazil

vendas@carlisleleft.com.br  
Tel: +55 11 5641 2776  
Fax: 55 11 5641 1256

### United Kingdom

info@carlisleleft.eu  
Tel: +44 (0)1202 571 111  
Fax: +44 (0)1202 573 488

### France

info@carlisleleft.eu  
Tel: +33(0)475 75 27 00  
Fax: +33(0)475 75 27 59

### Germany

info@carlisleleft.eu  
Tel: +49 (0) 6074 403 1  
Fax: +49 (0) 6074 403 281

### China

mkt@carlisleleft.com.cn  
Tel: +8621-3373 0108  
Fax: +8621-3373 0308

### Japan

overseas-sales@carlisleleft.co.jp  
Tel: 081 45 785 6421  
Fax: 081 45 785 6517

### Australia

sales@carlisleleft.com.au  
Tel: +61 (0) 2 8525 7555  
Fax: +61 (0) 2 8525 7575

For the latest information about our products, visit [www.carlisleleft.com](http://www.carlisleleft.com).

