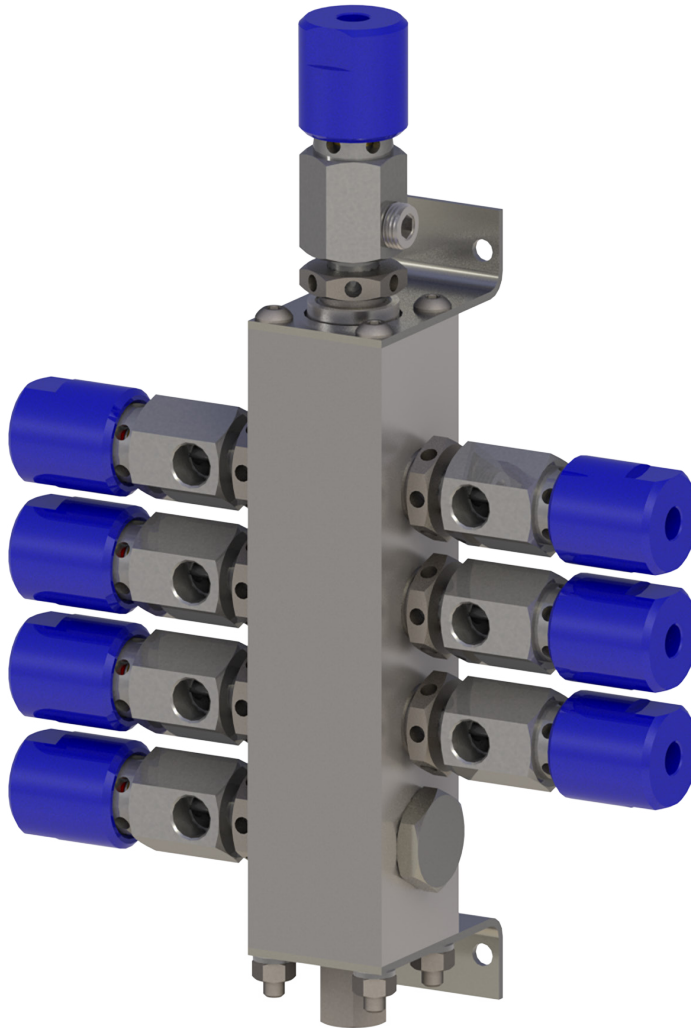


**BINKS® 240-5100 COLOR CHANGE VALVE STACKS**  
**LOW PRESSURE**



**SPECIFICATIONS**

Maximum air inlet pressure:	7 bar [105 psi]
Air requirements (operating pressure):	4.8-6.9 bar [70-100 psi]
Air inlet ports (1x per valve):	1/8" NPT (f)
Maximum fluid pressure:	20.7 bar [300 psi]
Fluid inlet ports (2x per valve):	1/4" NPT (f)
Fluid outlet connection:	1/4" NPT (f)
Fluid flow capacity:	3800 cc/min @ 47 psi pressure drop (paint viscosity = 700 centipoise) Varies according to material pressure and viscosity.
Valve actuation speed (ON/OFF cycles):	55 cycles/min
Maximum number of colors:	30
Wetted parts:	300 series Stainless Steel, PTFE

In this part sheet, the words **WARNING**, **CAUTION** and **NOTE** are used to emphasize important safety information as follows:

**⚠ WARNING**  
 Hazards or unsafe practices which could result in severe personal injury, death or substantial property damage.

**⚠ CAUTION**  
 Hazards or unsafe practices which could result in minor personal injury, product or property damage.

**NOTE**  
 Important installation, operation or maintenance information.

**⚠ WARNING**

**Read the following warnings before using this equipment.**



**READ THE MANUAL**  
 Before operating finishing equipment, read and understand all safety, operation and maintenance information provided in the operation manual.



**WEAR SAFETY GLASSES**  
 Failure to wear safety glasses with side shields could result in serious eye injury or blindness.



**DE-ENERGIZE, DEPRESSURIZE, DISCONNECT AND LOCK OUT ALL POWER SOURCES DURING MAINTENANCE**  
 Failure to De-energize, disconnect and lock out all power supplies before performing equipment maintenance could cause serious injury or death.



**OPERATOR TRAINING**  
 All personnel must be trained before operating finishing equipment.



**EQUIPMENT MISUSE HAZARD**  
 Equipment misuse can cause the equipment to rupture, malfunction, or start unexpectedly and result in serious injury.



**KEEP EQUIPMENT GUARDS IN PLACE**  
 Do not operate the equipment if the safety devices have been removed.



**PROJECTILE HAZARD**  
 You may be injured by venting liquids or gases that are released under pressure, or flying debris.



**PINCH POINT HAZARD**  
 Moving parts can crush and cut. Pinch points are basically any areas where there are moving parts.



**PACEMAKER WARNING**  
 You are in the presence of magnetic fields which may interfere with the operation of certain pacemakers.



**AUTOMATIC EQUIPMENT**  
 Automatic equipment may start suddenly without warning.



**INSPECT THE EQUIPMENT DAILY**  
 Inspect the equipment for worn or broken parts on a daily basis. Do not operate the equipment if you are uncertain about its condition.



**NEVER MODIFY THE EQUIPMENT**  
 Do not modify the equipment unless the manufacturer provides written approval.



**KNOW WHERE AND HOW TO SHUT OFF THE EQUIPMENT IN CASE OF AN EMERGENCY**



**PRESSURE RELIEF PROCEDURE**  
 Always follow the pressure relief procedure in the equipment instruction manual.



**NOISE HAZARD**  
 You may be injured by loud noise. Hearing protection may be required when using this equipment.



**HIGH PRESSURE CONSIDERATION**  
 High pressure can cause serious injury. Relieve all pressure before servicing. Spray from the spray gun, hose leaks, or ruptured components can inject fluid into your body and cause extremely serious injury.



**STATIC CHARGE**  
 Fluid may develop a static charge that must be dissipated through proper grounding of the equipment, objects to be sprayed and all other electrically conductive objects in the dispensing area. Improper grounding or sparks can cause a hazardous condition and result in fire, explosion or electric shock and other serious injury.

**IT IS THE RESPONSIBILITY OF THE EMPLOYER TO PROVIDE THIS INFORMATION TO THE OPERATOR OF THE EQUIPMENT. FOR FURTHER SAFETY INFORMATION REGARDING THIS EQUIPMENT, SEE THE GENERAL EQUIPMENT SAFETY BOOKLET (77-5300).**

Note: Read and follow all instructions and safety precautions before using this equipment.

**Product Descriptions**  
 240-51xx Color Change Valve Stacks



This product is designed for use with Solvent based and Waterborne materials. Suitable for use in Zone 1 and 2, Protection Level: II 2 G X

Manufacturer: **Finishing Brands**  
 Toledo, OH 43612

**EU Declaration of Conformity**

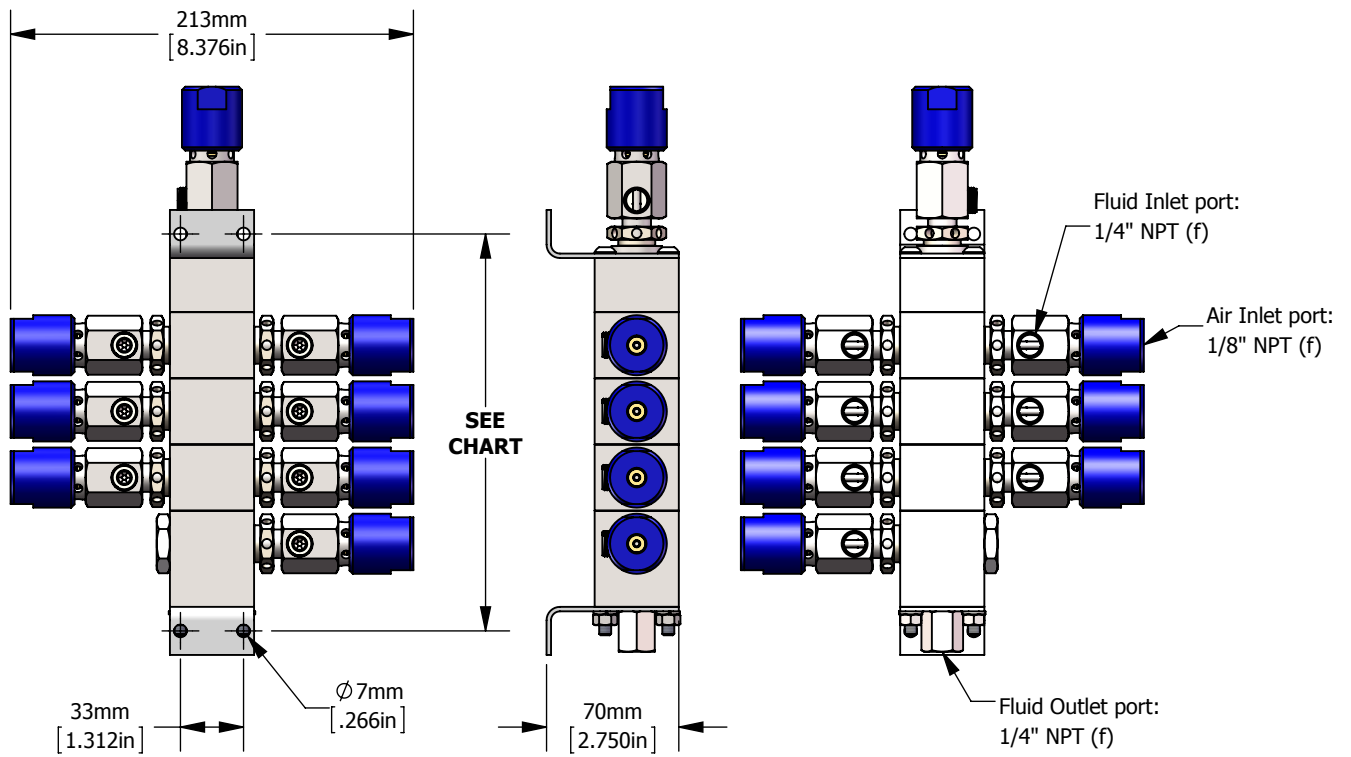
We: Finishing Brands declare that the above product conforms with the Provisions of Machinery Directive 2006/42/EC and the ATEX Directive 94/9/EC by complying with the following statutory documents and harmonized standards:

- Machinery Safety Standards EN ISO 12100
- Explosion Prevention Potentially Explosive Atmospheres EN 1127-1
- Non-electrical Equipment for Potentially Explosive Atmospheres BS EN 13463-1

Providing all conditions of safe use stated within the product manuals have been complied with and that the final equipment into which this product is installed has been re-assessed as required, in accordance with essential health and safety requirements of the above standards, directives and statutory instruments and also installed in accordance with any applicable local codes of practice.

*Chuck McCulloch*  
 Chuck McCulloch, Manager – Fluid Handling Research & Development  
 May 01, 2015

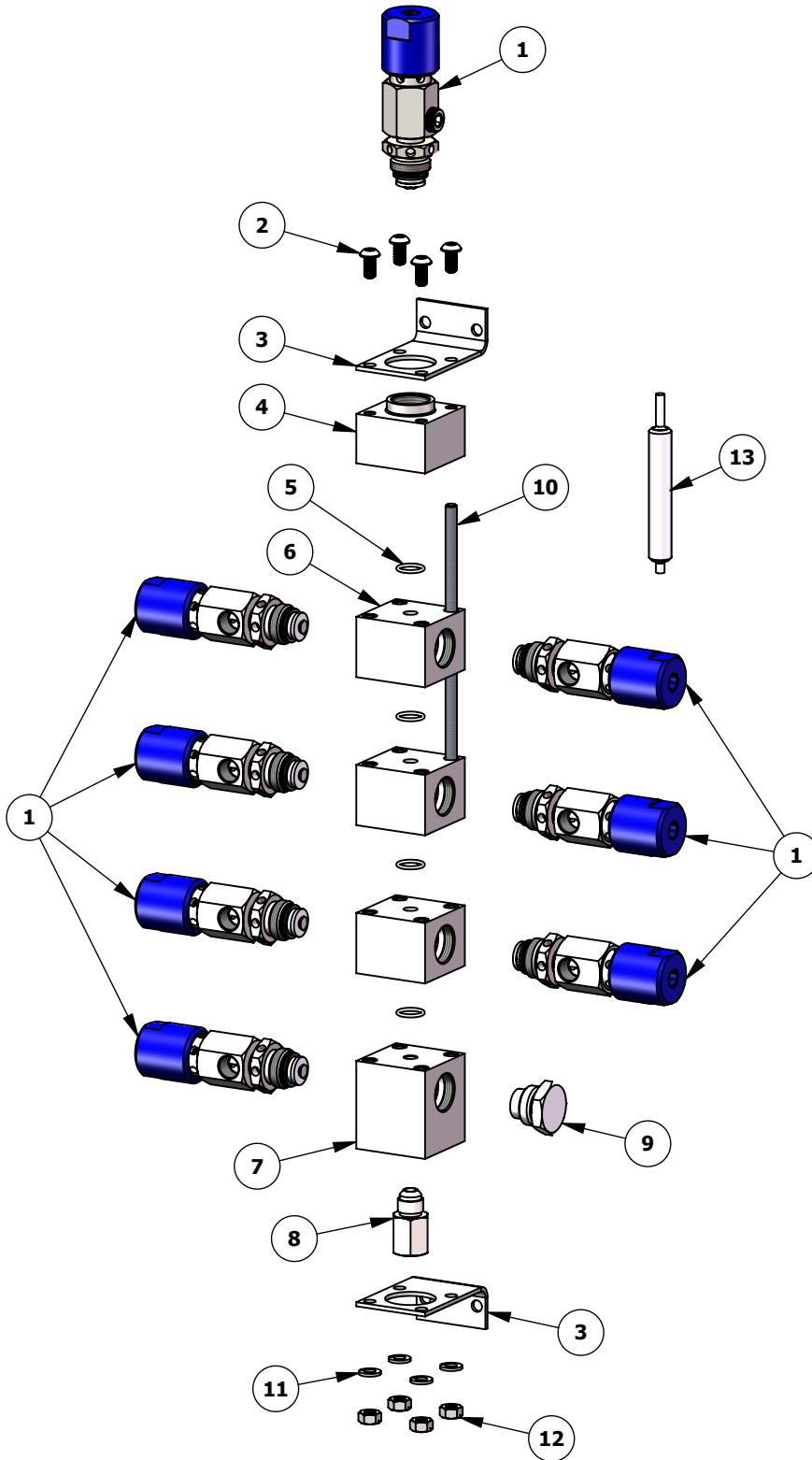
## 240-5100 INSTALLATION



240-5108 SHOWN

VERTICAL DIMENSION	
240-5101	
240-5102	104.8mm [4.125in]
240-5103	
240-5104	
240-5105	139.8mm [5.501in]
240-5106	
240-5107	174.7mm [6.877in]
240-5108	
240-5109	209.6mm [8.253in]
240-5110	
240-5111	244.6mm [9.629in]
240-5112	
240-5113	279.5mm [11.005in]
240-5114	
240-5115	314.5mm [12.381in]
240-5116	
240-5117	349.4mm [13.757in]
240-5118	
240-5119	384.4mm [15.133in]
240-5120	
240-5121	419.3mm [16.509in]
240-5122	
240-5123	454.3mm [17.885in]
240-5124	
240-5125	489.2mm [19.261in]
240-5126	
240-5127	524.2mm [20.637in]
240-5128	
240-5129	559.1mm [22.013in]
240-5130	
240-5131	594.1mm [23.389in]

240-5100 COLOR CHANGE STACK ASSEMBLIES



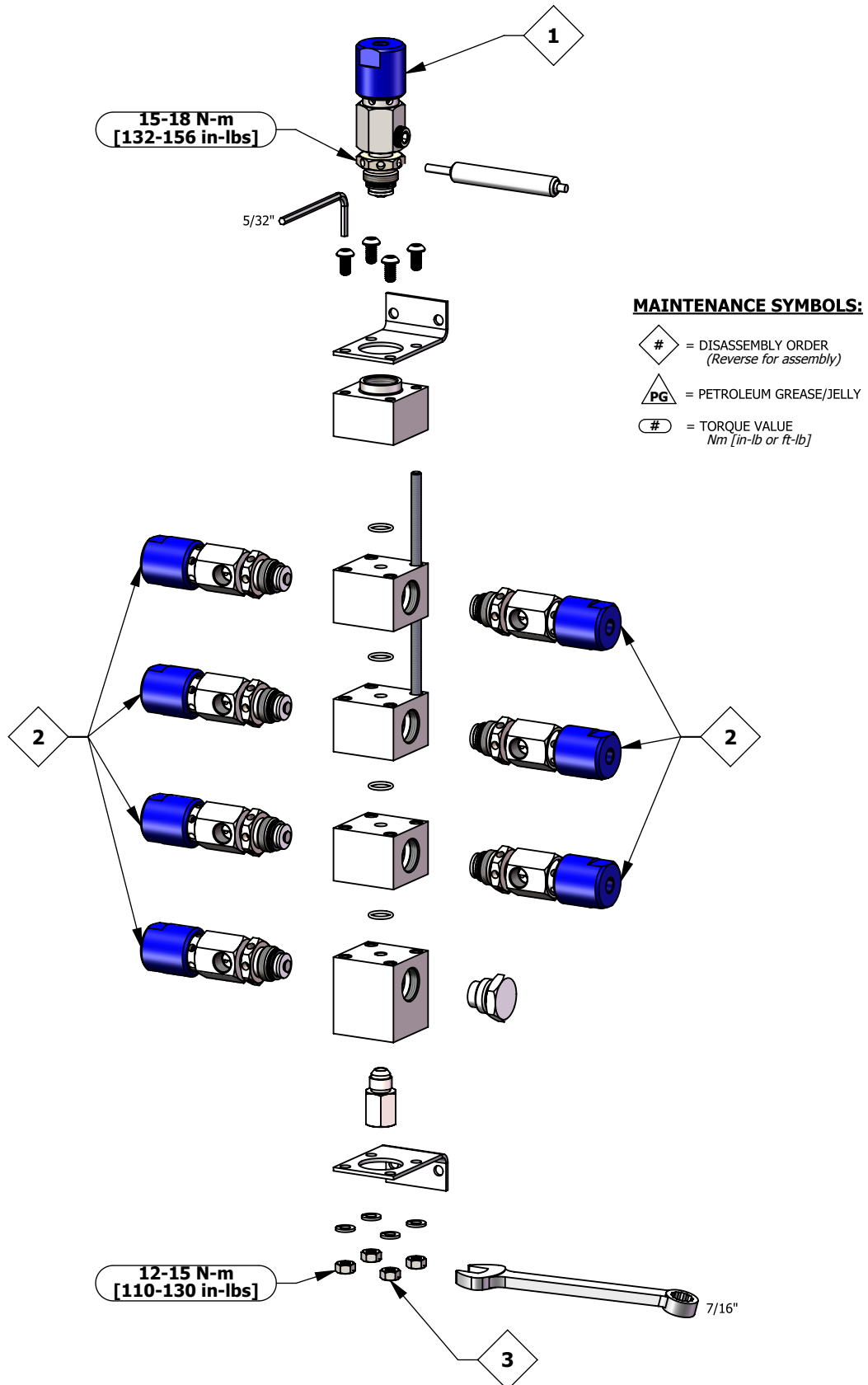
240-5108  
**8 VALVE ASSEMBLY SHOWN**  
 ITEMS 1, 5, 6, & 9 QUANTITIES WILL VARY.  
 SEE PARTS LIST AT RIGHT.

**240-5100 COLOR CHANGE VALVE STACKS**

Item No.	Part No.	Description	240-5101	240-5102	240-5103	240-5104	240-5105	240-5106	240-5107	240-5108	240-5109	240-5110	240-5111	240-5112	240-5113	240-5114	240-5115	240-5116	240-5117	240-5118	240-5119	240-5120	240-5121	240-5122	240-5123	240-5124	240-5125	240-5126	240-5127	240-5128	240-5129	240-5130	240-5131				
1	CCV-503-SS	COLOR CHANGE VALVE ASSEMBLY	1	2	3	4	5	6	7	8	9	10	11	12	13	14	15	16	17	18	19	20	21	22	23	24	25	26	27	28	28	30	31				
2	77578-16C	BUTTON HEAD CAP SCREW, 1/4"-20 X 1/2"	4	4	4	4	4	4	4	4	4	4	4	4	4	4	4	4	4	4	4	4	4	4	4	4	4	4	4	4	4	4	4				
3	CCV-37	BRACKET	2	2	2	2	2	2	2	2	2	2	2	2	2	2	2	2	2	2	2	2	2	2	2	2	2	2	2	2	2	2	2	2			
4	CCV-17-SS	MANIFOLD BLOCK, INLET	1	1	1	1	1	1	1	1	1	1	1	1	1	1	1	1	1	1	1	1	1	1	1	1	1	1	1	1	1	1	1	1			
5	23165-430-K5	O-RING (SOLD AS 5 PACK)	1	1	1	2	2	3	3	4	4	5	5	6	6	7	7	8	8	9	9	10	10	11	11	12	12	13	13	14	14	15	15	15	15		
6	CCV-16-SS	MANIFOLD BLOCK	-	-	-	1	1	2	2	3	3	4	4	5	5	6	6	7	7	8	8	9	9	10	10	11	11	12	12	13	13	14	14	14	14		
7	CCV-18-SS	MANIFOLD BLOCK, OUTLET	1	1	1	1	1	1	1	1	1	1	1	1	1	1	1	1	1	1	1	1	1	1	1	1	1	1	1	1	1	1	1	1	1		
8	20-6970	ADAPTER	1	1	1	1	1	1	1	1	1	1	1	1	1	1	1	1	1	1	1	1	1	1	1	1	1	1	1	1	1	1	1	1	1		
9	KK-4370	PLUG KIT	2	1	-	1	-	1	-	1	-	1	-	1	-	1	-	1	-	1	-	1	-	1	-	1	-	1	-	1	-	1	-	1	-		
10		1/4"-20 S.S. THREADED ROD (4 PIECES, CUT LENGTH AT RIGHT)	3"	3"	3"	4 3/8"	4 3/8"	5 3/4"	5 3/4"	7 1/8"	7 1/8"	8 1/2"	8 1/2"	9 7/8"	9 7/8"	11 1/4"	11 1/4"	12 5/8"	12 5/8"	14"	14"	15 3/8"	15 3/8"	16 3/4"	16 3/4"	18 1/8"	18 1/8"	19 1/2"	19 1/2"	20 7/8"	20 7/8"	22 1/4"	22 1/4"	22 1/4"	22 1/4"		
11		1/4" LOCKWASHER	4	4	4	4	4	4	4	4	4	4	4	4	4	4	4	4	4	4	4	4	4	4	4	4	4	4	4	4	4	4	4	4	4	4	
12		1/4"-20 HEX NUT	4	4	4	4	4	4	4	4	4	4	4	4	4	4	4	4	4	4	4	4	4	4	4	4	4	4	4	4	4	4	4	4	4	4	4
13	CCV-7	VALVE TOOL	1	1	1	1	1	1	1	1	1	1	1	1	1	1	1	1	1	1	1	1	1	1	1	1	1	1	1	1	1	1	1	1	1	1	

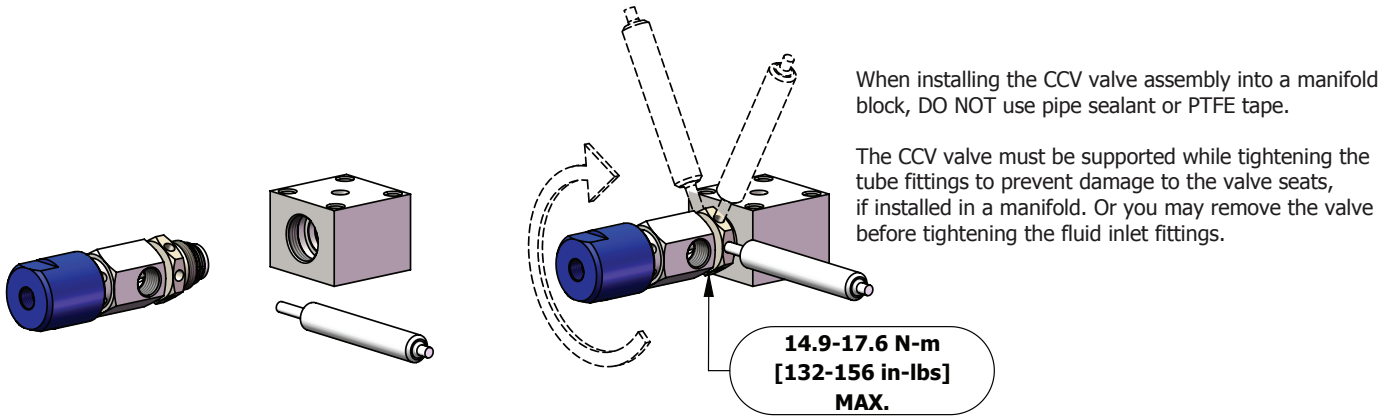
**Recommended grease:**  
AGMD-010 Silicone free grease 50g [2oz.] tube

## 240-5100 DISASSEMBLY

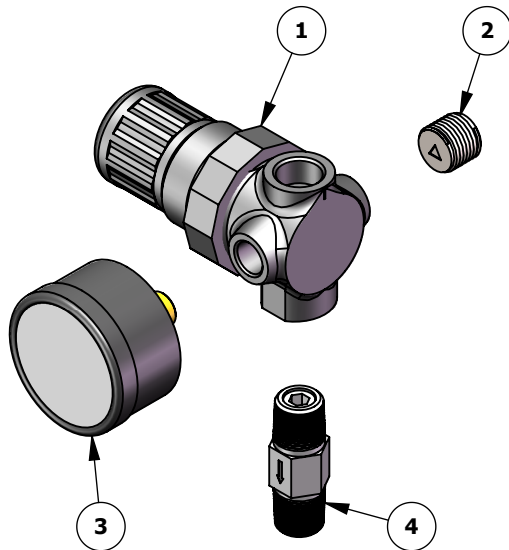


## CCV-7 VALVE TOOL

### How to remove Color Change Valve (CCV) using the CCV-7 Valve Tool:



## ACCESSORIES



### 240-5004 Air Push Regulator Kit

Item No.	Part No.	Description	Qty.
1	A10857-00	AIR REGULATOR	1
2	SSP-1421	PIPE PLUG	1
3	GA-338	BACK MOUNT GAUGE (0-160 PSI), 1½" DIA	1
4	SSV-809	CHECK VALVE	1

IMAGE SHOWS LEFT SIDE CONFIGURATION.  
REVERSE ITEMS 2 & 3 FOR RIGHT SIDE.

## WARRANTY POLICY

This product is covered by Carlisle Fluid Technologies' materials and workmanship limited warranty. The use of any parts or accessories, from a source other than Carlisle Fluid Technologies, will void all warranties. Failure to reasonably follow any maintenance guidance provided may invalidate any warranty.

For specific warranty information please contact Carlisle Fluid Technologies.

Carlisle Fluid Technologies is a global leader in innovative finishing technologies. Carlisle Fluid Technologies reserves the right to modify equipment specifications without prior notice.

DeVilbiss®, Ransburg®, ms®, BGK®, and Binks®  
are registered trademarks of Carlisle Fluid Technologies, Inc.

©2018 Carlisle Fluid Technologies, Inc.  
All rights reserved.

For technical assistance or to locate an authorized distributor,  
contact one of our international sales and customer support locations.

<b>Region</b>	<b>Industrial / Automotive</b>	<b>Automotive Refinishing</b>
Americas	Tel: 1-800-992-4657 Fax: 1-888-246-5732	Tel: 1-800-445-3988 Fax: 1-800-445-6643
Europe, Africa, Middle East, India	Tel: +44 (0)1202 571 111 Fax: +44 (0)1202 573 488	
China	Tel: +8621-3373 0108 Fax: +8621-3373 0308	
Japan	Tel: +81 45 785 6421 Fax: +81 45 785 6517	
Australia	Tel: +61 (0) 2 8525 7555 Fax: +61 (0) 2 8525 7575	

For the latest information about our products, visit [www.carlisleleft.com](http://www.carlisleleft.com)