

**TEKNA**<sup>®</sup>  
PRIMER

**DEVILBISS**<sup>®</sup>  
AUTOMOTIVE REFINISHING

# Professional Gravity Feed Spraygun



**Gun Repair Kit  
No. 703536**



# Table of Contents

Topic	Page
Operational Description.....	2
EC Declaration of Conformity.....	3
Construction Features, Materials of Construction, Specifications & Technical Data .....	4
Safety Precautions .....	5
Installation, Operation, Preventive Maintenance & Cleaning, Spray Gun Lubrication .....	6
Parts Replacement/Maintenance.....	7–12
A. Servicing Air Valve.....	7–8
B. Needle Packing, Spreader Valve Assembly, Fluid Supply Insert .....	9
C. Spray Head Seal Replacement.....	10
D. Chart 1 – Air Caps .....	11
Chart 2 – Fluid Nozzles & Fluid Needles	
E. Exploded View and Parts List.....	12
Troubleshooting Possible Problems in Operation .....	13–14
Accessories.....	14
Warranty.....	15

**NOTE:**

When used with the HVLP cap, this gun can be used anywhere—both in mandated HVLP and unregulated areas.

Consult your local air quality management agency with any questions regarding HVLP or compliance requirements in your area.

## Technical Bulletin TEKNA Primer Gravity Feed Spray Gun



**IMPORTANT:** Read and follow all instructions and Safety Precautions before using this equipment. Keep for future use.

DeVilbiss Automotive Refinishing reserve the right to modify equipment specification without prior notice.

### Operational Description

The TEKNA Primer spray gun is a lightweight professional gun designed to handle both water-based and solvent-based coating materials. Both HVLP and high efficiency models are available.

High volume, low pressure (HVLP) models are designed to reduce overspray and provide maximum transfer efficiency by limiting air cap pressure to 0.7 bar (10 psi) (complies with rules issued by SCAQMD and other air quality authorities).

HVLP models will produce approximately 0.7 bar (10 psi) air cap pressure at 1.4 bar (21 psi) gun inlet pressure with the trigger pulled. HVLP air cap #PR30 is designed for optimum primer applications. An air cap test kit is available (see **Accessories**) which can be utilized to set the exact air cap pressure.

High efficiency models use air cap #PR10. These models are designed to provide optimum atomization of virtually all waterborne or solvent-based common coating materials at increased application

rates while maintaining very high transfer efficiency. High efficiency models, when tested under recommended conditions with automotive refinishing materials, have been found to exceed 65% transfer efficiency.

Refer to the website [www.autorefinishdevilbiss.com](http://www.autorefinishdevilbiss.com) for a complete listing of approved areas and requirements for regulatory compliance.

**IMPORTANT:** These guns are not designed for use with highly corrosive and/or abrasive materials and if used with such materials it must be expected that the need for cleaning and/or replacement of parts will be increased. If there is any doubt regarding the suitability of a specific material, contact your TEKNA Distributor.

**NOTE:** This gun is **not** to be used with halogenated hydrocarbon solvents or cleaning agents such as 1,1,1-Trichloroethane or methylene chloride. These solvents can react with the aluminium components used in this gun and cup. The reaction can become violent and lead to an equipment explosion.

**Product Description/Object of Declaration:** TEKNA Primer

**This Product is designed for use with:** Solvent and Water-based Materials

**Suitable for use in hazardous area:** Zone 1 / Zone 2

**Protection Level:** II 2 G X

**Notified body details and role:** TRAC Global Ltd (0891)

Lodging of Technical file

**This Declaration of Conformity  
/incorporation is issued under the sole  
responsibility of the manufacturer:**

Carlisle Fluid Technologies UK Ltd,  
Ringwood Road,  
Bournemouth, BH11 9LH. UK

## EU Declaration of Conformity



**The object of the declaration described above is in conformity with the relevant Union harmonisation legislation:**

Machinery Directive 2006/42/EC

ATEX Directive 2014/34/EU

by complying with the following statutory documents and harmonized standards:

EN ISO 12100:2010 Safety of Machinery - General Principles for Design

BS EN 1953:2013 Atomising and spraying equipment for coating materials - Safety requirements

EN 1127-1:2011 Explosive atmospheres - Explosion prevention - Basic concepts

EN 13463-1:2009 Non electrical equipment for use in potentially explosive atmospheres - Basic methods and requirements

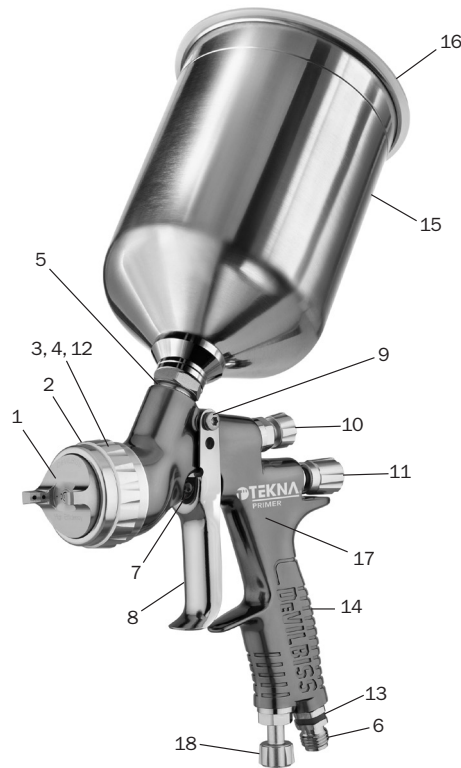
Providing all conditions of safe use / installation stated within the product manuals have been complied with and also installed in accordance with any applicable local codes of practice.

Signed for and on behalf of  
Carlisle Fluid Technologies UK Ltd:

Dave Smith  
11-Jul-16

Director of Sales (EMEA)

Bournemouth, BH11 9LH, UK



**Construction Features**

1	Air Cap (nickel plated brass for long durability)
2	Air Cap Retaining Ring (allows easy rotation of air cap)
3	Fluid Nozzle (not visible, ideal for automotive topcoat systems)
4	Fluid Needle (not visible)
5	Fluid Inlet (3/8 BSP thread – accepts TEKNA & DeVilbiss cups)
6	Air Inlet (universal thread, accepts G 1/4 & 1/4 NPS)
7	Self Adjusting Needle Packing (packing not visible, for long packing life)
8	Trigger (ergonomic for comfort)
9	Trigger Stud & Screw (easy replacement design)
10	Fan Air Adjustment (stepless regulation for flat to round spray)
11	Fluid Adjustment (stepless regulation of fluid volume)
12	Removable Spray Head (not visible, for long gun service life)
13	Interchangeable Colour ID System (4 coloured rings supplied)
14	Forged gun body (ergonomic, good looking & durable, easy to clean)
15	900cc Aluminium Cup (easy clean) (shown) or 20 oz. Acetal Cup (waterbourne) (not shown)
16	Push On Lid w/Drip Free Vent (disposable/easy clean design) (aluminum cup) or screw-on lid w/vent (acetal Cup)
17	Air Valve (not visible) (design offers low pull force & low pressure drop)
18	Air Cheater Valve (accurate control of air through spray gun)

Gun acceptable for waterborne and solvent borne applications

**Materials of Construction**

Gun Body	Anodized aluminium
Air Cap	Nickel plated brass
Fluid Nozzle, Fluid Needle, Fluid Inlet, Trigger Stud	Stainless steel
Spray Head, Air Cap Retaining Ring, Knobs	Anodized aluminium
Springs, Clips, Screws	Stainless steel
Seals, Gaskets	Solvent resistant
Trigger	Chrome plated steel
Air Inlet, Body Bushing, Spreader Valve Body, Air Valve Nut	Chrome plated brass
Air Valve Assembly	Aluminum

**Specifications & Technical Data**

Air Supply Connection	Universal 1/4" BSP and 1/4" NPS
Maximum Static Air Inlet Pressure	P1 = 12 bar (175 psi)
Nominal Gun Air Inlet Pressure for HVLP Models – PR30 cap (with gun triggered)	1.4 bar (21 psi)
Nominal Gun Air Inlet Pressure for High Efficiency Models – PR10 cap (with gun triggered)	2.0 bar (29 psi)
Air Consumption	See Chart 1 on page 11
Fluid Supply Connection	3/8" BSP
Service Temperature	0 to 40°C (32 to 100°F)
Gun Weight (gun only)	443g (15.6 oz.)

# Safety Precautions

**CA PROP  
65**
**PROP 65 WARNING**


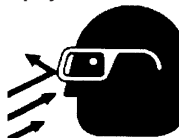


WARNING: This product contains chemicals known to the State of California to cause cancer and birth defects or other reproductive harm.

This bulletin contains information that is important for you to know and understand. This information relates to USER SAFETY and PREVENTING EQUIPMENT PROBLEMS. To help you recognize this information, we use the following symbols. Please pay particular attention to these sections.

**WARNING**
**CAUTION**
**NOTE**

Important safety information – A hazard that may cause serious injury or loss of life.	Important information that tells how to prevent damage to equipment, or how to avoid a situation that may cause minor injury.	Information that you should pay special attention to.
----------------------------------------------------------------------------------------	-------------------------------------------------------------------------------------------------------------------------------	-------------------------------------------------------

The following hazards may occur during the normal use of this equipment. Please read the following chart before using this equipment.

HAZARD	CAUSE	SAFEGUARDS
<b>Fire</b> 	Solvent and coatings can be highly flammable or combustible especially when sprayed.	<p>Adequate exhaust must be provided to keep air free of accumulations of flammable vapours.</p> <p>Smoking must never be allowed in the spray area.</p> <p>Fire extinguishing equipment must be present in the spray area.</p>
<b>Solvent Spray</b> 	During use and while cleaning and flushing, solvents can be forcefully expelled from fluid and air passages. Some solvents can cause eye injury.	Wear eye protection.
<b>Inhaling Toxic Substances</b> 	Certain materials may be harmful if inhaled, or if there is contact with the skin.	<p>Follow the requirements of the Safety Data Sheet supplied by your coating material manufacturer.</p> <p>Adequate exhaust must be provided to keep the air free of accumulations of toxic materials.</p> <p>Use a mask or respirator whenever there is a chance of inhaling sprayed materials. The mask must be compatible with the material being sprayed and its concentration. Equipment must be as prescribed by an industrial hygienist or safety expert, and be NIOSH approved.</p>
<b>Explosion Hazard – Incompatible Materials</b> 	Halogenated hydrocarbon solvents – for example; methylene chloride and 1,1,1,-Trichloroethane are not chemically compatible with the aluminium that might be used in many system components. The chemical reaction caused by these solvents reacting with aluminium can become violent and lead to an equipment explosion.	Guns with stainless steel internal passageways may be used with these solvents. However, aluminium is widely used in other spray application equipment – such as material pumps, regulators, valves, and cups. Check all equipment items before use and make sure they can also be used safely with these solvents. Read the label or data sheet for the material you intend to spray. If in doubt as to whether or not a coating or cleaning material is compatible, contact your material supplier.
<b>General Safety</b>	Improper operation or maintenance of equipment.	Operators should be given adequate training in the safe use and maintenance of the equipment (in accordance with the requirements of NFPA-33, Chapter 15). Users must comply with all local and national codes of practice and insurance company requirements governing ventilation, fire precautions, operation, maintenance, and housekeeping. These are OSHA Sections 1910.94 and 1910.107 and NFPA-33.
<b>Cumulative Trauma disorders (“CTD’s”)</b>  <b>CTD’s, or musculoskeletal disorders, involve damage to the hands, wrists, elbow, shoulders, neck and back. Carpal tunnel syndrome and tendonitis (such as tennis elbow or rotator cuff syndrome) are examples of CTD’s.</b>	<p>Use of hand tools may cause cumulative trauma disorders (“CTD’s”).</p> <p>CTD’s, when using hand tools, tend to affect the upper extremities. Factors which may increase the risk of developing a CTD include:</p> <ol style="list-style-type: none"> <li>1. High frequency of the activity.</li> <li>2. Excessive force, such as gripping, pinching, or pressing with the hands and fingers.</li> <li>3. Extreme or awkward finger, wrist, or arm positions.</li> <li>4. Excessive duration of the activity.</li> <li>5. Tool vibration.</li> <li>6. Repeated pressure on a body part.</li> <li>7. Working in cold temperatures.</li> </ol> <p>CTD’s can also be caused by such activities as sewing, golf, tennis, and bowling, to name a few.</p>	<p>Pain, tingling, or numbness in the shoulder, forearm, wrist, hands, or fingers, especially during the night, may be early symptoms of a CTD. Do not ignore them. Should you experience any such symptoms, see a physician immediately. Other early symptoms may include vague discomfort in the hand, loss of manual dexterity, and nonspecific pain in the arm. Ignoring early symptoms and continued repetitive use of the arm, wrist, and hand can lead to serious disability. Risk is reduced by avoiding or lessening factors 1-7.</p>

## INSTALLATION

For maximum transfer efficiency, **do not use more pressure than is necessary to atomise the material being applied.**

1. Connect the gun to a clean, moisture and oil free air supply using a hose size of at least 8 mm (5/16") I.D. hose. Do not use 6 mm I.D. hose (8 m x 6 mm hose at 510 LPM has a pressure loss of 1.8 bar. 8 m x 8 mm hose at 510 LPM has a pressure loss of 0.6 bar. [Do not use 1/4" I.D. hose (25' x 1/4" hose at 18 CFM has a pressure loss of 25 psi. 25' x 5/16" hose at 18 CFM has a pressure loss of 8 psi).] Depending on hose length, larger I.D. hose may be required.

### NOTE

When gun is triggered on, adjust inlet air pressure (for recommended pressures see Chart 1 under Parts Replacement) at the gun inlet. (Pressure gauge shown under Accessories is recommended for this). **Do not use more pressure than is necessary to atomise the material being applied.** Excess pressure will create additional overspray and reduce transfer efficiency.

### NOTE

If quick connects are required, use only high flow quick connects approved for HVLP use. Other types will not flow enough air for proper gun operation.

### NOTE

If an air adjusting valve is used at the gun inlet, use a DeVilbiss air adjusting valve. Some competitive adjusting valves have significant pressure drop that can adversely affect spray performance. DeVilbiss air adjusting valves have minimal pressure drop.

2. Attach the gravity feed cup to the material inlet.

### NOTE

Protective coating and rust inhibitors have been used to keep the gun in good condition prior to shipment. Before using the gun, flush it with solvents so that these materials will be removed from fluid passages.

## OPERATION

1. Mix coating material to manufacturer's instructions and strain material.
2. Fill the cup with the required amount of material. Fill to no more than 19 mm (3/4") from the top of the cup. DO NOT OVERFILL.
3. Attach Cup Lid.
4. Turn fluid adjusting knob (28) clockwise to prevent fluid needle movement.
5. Turn spreader valve adjusting knob (16) counter clockwise to fully open.
6. Trigger gun on and adjust inlet air pressure (for recommended figures see Chart 1 under Parts Replacement) at the gun inlet. (Pressure gauge shown under Accessories is recommended for this).
7. Turn fluid adjusting knob (16) counter clockwise until first thread shows.
8. Test spray. If the finish is too dry, reduce airflow by reducing air inlet pressure.

9. If finish is too wet, reduce fluid flow by turning fluid adjusting knob (28) clockwise. If atomisation is too coarse, increase inlet air pressure. If too fine, reduce inlet pressure.
10. The pattern size can be reduced by turning spreader valve adjusting knob (16) clockwise.
11. Hold gun perpendicular to surface being sprayed. Arcing or tilting may result in uneven coating.
12. The recommended spray distance is 150-200 mm (6"-8").
13. Spray edges first. Overlap each stroke a minimum of 75%. Move gun at a constant speed.
14. Always turn off air supply and relieve pressure when gun is not in use.

## PREVENTIVE MAINTENANCE & CLEANING

To clean air cap and fluid nozzle, brush exterior with a stiff bristle brush. If necessary to clean cap holes, use a broom straw or toothpick if possible. If a wire or hard instrument is used, extreme care must be used to prevent scratching or burring of the holes which will cause a distorted spray pattern.

To clean fluid passages, remove excess material from cup, then flush with a suitable solvent. Wipe gun exterior with a solvent dampened cloth. Never completely immerse in solvent as this is detrimental to the lubricants and packings.

### NOTE

When replacing the fluid nozzle or fluid needle, replace both at the same time. Using worn parts can cause fluid leakage. See page 11, Chart 2. Also, replace the needle packing at this time. Lightly lubricate the threads of the fluid nozzle before reassembling. Torque to 18-20 Nm (13-15 ft-lbs). Do not over tighten the fluid nozzle.

### CAUTION

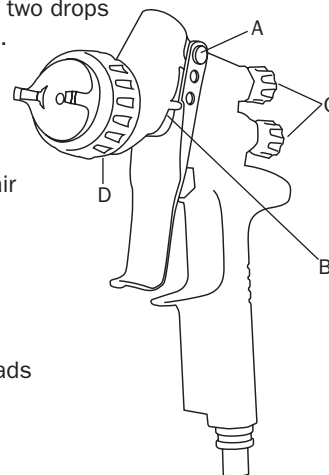
To prevent damage to fluid nozzle (8) or fluid needle (24), be sure to either 1) pull the trigger and hold while tightening or loosening the fluid nozzle, or 2) remove fluid adjusting knob (28) to relieve spring pressure against needle collar.

## SPRAY GUN LUBRICATION

Daily, apply a drop of spray gun lubricant at trigger stud (40). The shank of fluid needle (24) where it enters packing nut (36) should also be oiled. Fluid needle packing (34) should be lubricated periodically. Make sure spray head (9) and air cap retaining ring (1) threads are clean and free of foreign matter. Before assembling air cap retaining ring to spray head, clean the threads thoroughly, then add two drops of spray gun lubricant to threads. Fluid needle spring (25) and air valve spring (21) should be coated with a very light grease, making sure that any excess grease will not clog the air passages.

Points of Lubrication

- A. Trigger Points
- B. Packing
- C. Adjusting Knobs
- D. Air Cap Retaining Ring Threads





# Parts Replacement/ Maintenance

## AIR VALVE INSTRUCTIONS

### Servicing Air Valve

Reasons to service air valve:

- A) Air valve not functioning properly (may need cleaning).
  - B) Routine maintenance.
  - C) Air leaks.
1. Remove trigger screw (38) with Star T20 tool. (See fig 2).
  2. Remove trigger stud (40) and remove trigger (39) (See fig 3).
  3. Remove fluid adjusting knob (28) and spring (29). (See fig 4).
  4. Remove fluid needle (24) (See fig 5).
  5. Using a 6mm hex key, remove valve housing (27). (See Figs 6 and 7).
  6. Remove spring (21) and valve spindle (20). (See Fig 8).
  7. Using service tool (44), engage groove behind the valve seat (19) (See Fig 9).

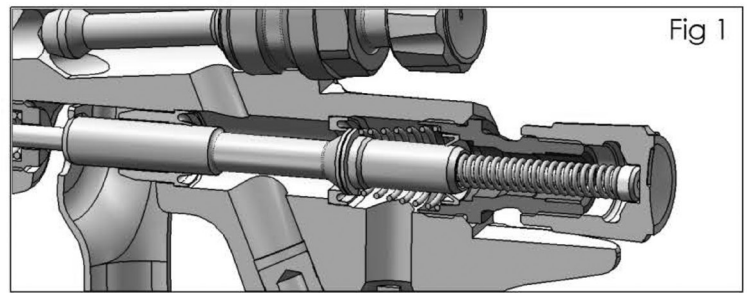


Fig 1

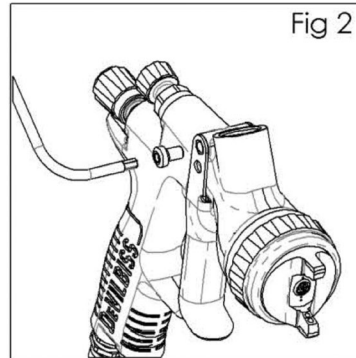


Fig 2

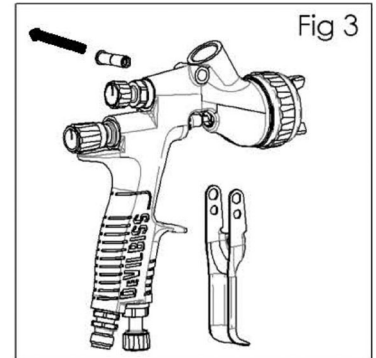


Fig 3

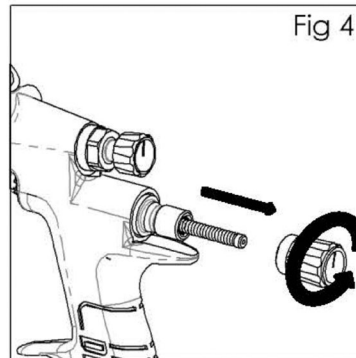


Fig 4

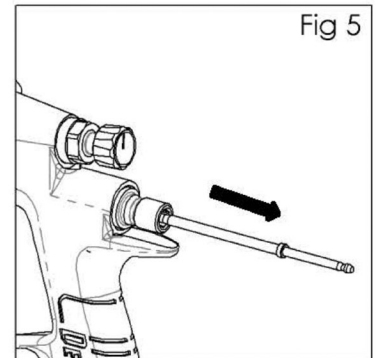


Fig 5

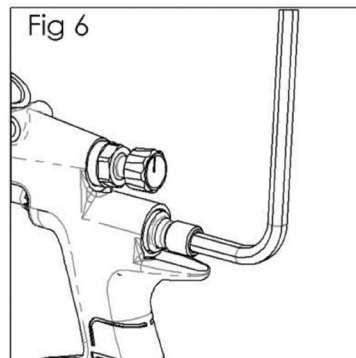


Fig 6

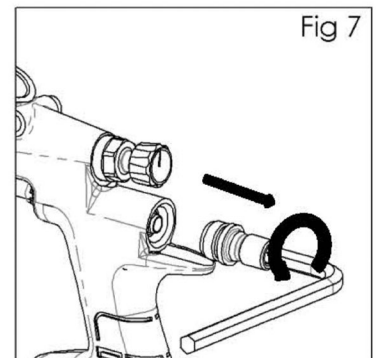


Fig 7

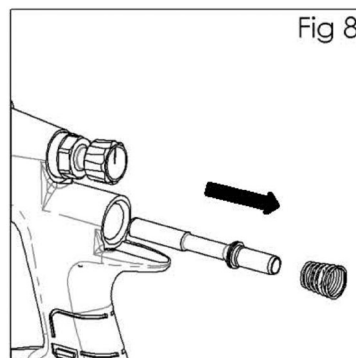


Fig 8

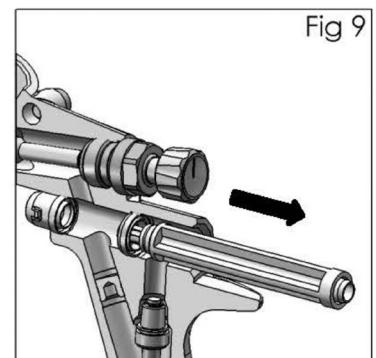
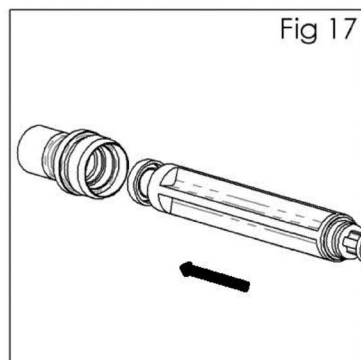
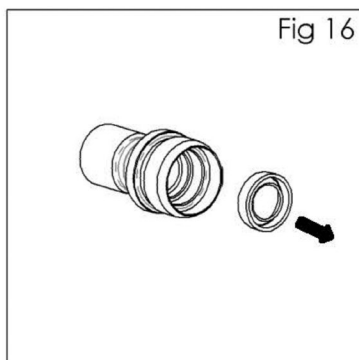
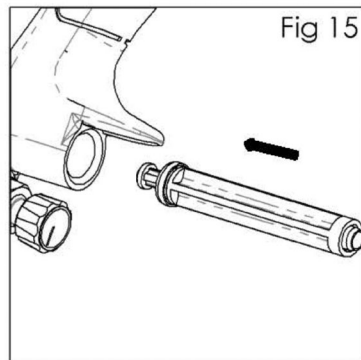
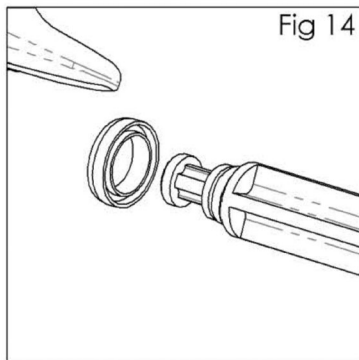
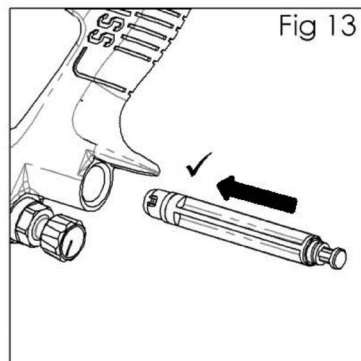
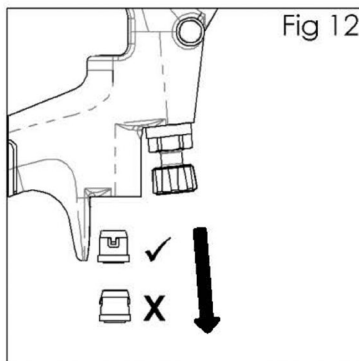
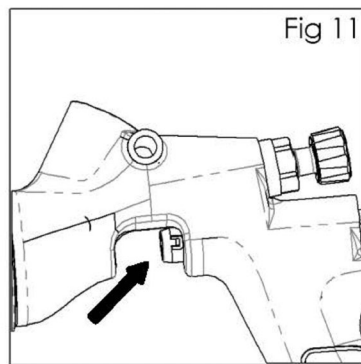
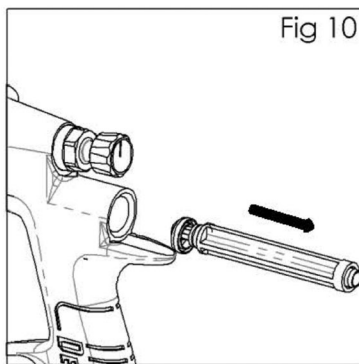


Fig 9



## Servicing Air Valve

(continued)

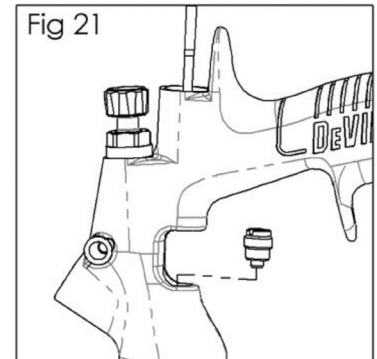
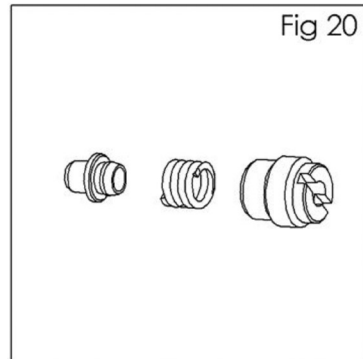
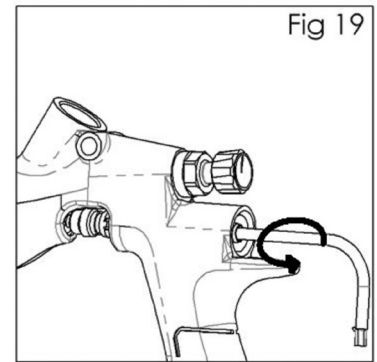
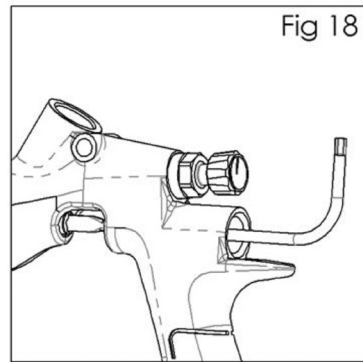
8. Withdraw the valve seat (19) from the gun body. (See fig 10).
9. Push out the front air valve seal (18) with a finger. (See fig 11).
10. Turn the gun upside down and let the seal fall out. (See fig 12).
11. Fit new front seal (18) to service tool (44). Fit into gunbody and press firmly to ensure seal is engaged. (See fig 13).
12. Fit a new valve seat (19) to service tool (44). Groove must face outwards. (See fig 14).
13. Fit valve seat (19) to gunbody. (See fig 15)
14. Remove rear air valve seal (22) from housing (27) with a hooked instrument.(See fig 16).
15. Fit new seal(22) to service tool (44). Groove must face outwards. Press seal (22) to housing (27). (See fig 17)
16. Reassemble remaining parts in reverse order — valve (20), spring (21), housing (27) and tighten with 6mm hex key, needle (24) spring (29) and knob (28). Replace trigger (39), fitting trigger stud (40), screw in the trigger screw (38) with Star T20 tool.
17. Trigger gun fully and screw in fluid adjusting knob (28) until it stops. Back it off 1/2 turn and gun will have full needle travel.
18. Trigger gun several times to verify correct operation.



# Parts Replacement/ Maintenance

## NEEDLE PACKING REPLACEMENT INSTRUCTIONS

1. Remove trigger, fluid needle, and air valve following steps 1 to 6 on P7, servicing air valve.
2. Loosen and remove packing nut using a straight blade screwdriver. (See figs 18 & 19)
3. Discard old packing (34) and packing spring (35) if replacing. Clean packing if reusing. Also clean packing spring and nut (36). (See fig 20).
4. Re-assemble the packing, assemble into gunbody by hand and then tighten. (See fig 21)
5. Complete re-assembly following steps 16 to 18 on P8.



## SPREADER VALVE ASSEMBLY REPLACEMENT/MAINTENANCE

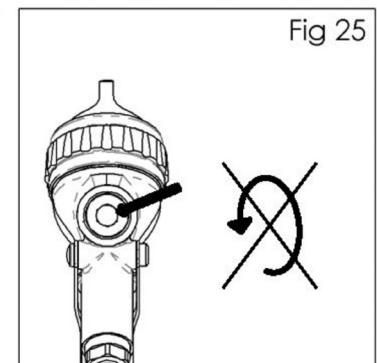
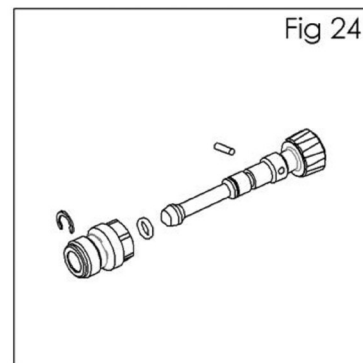
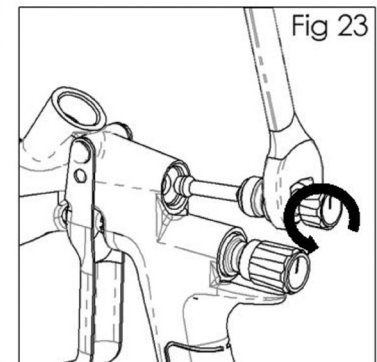
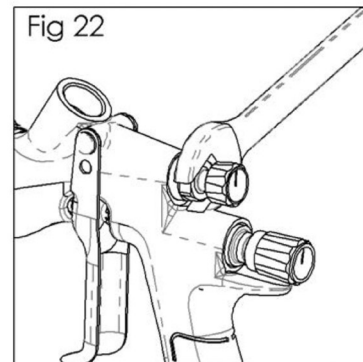
The spreader valve assembly can be replaced if damaged. Remove using a 14 mm wrench (See figs 22 & 23). The internal seal can be replaced and is included in the gun rebuild kit (See fig 24).

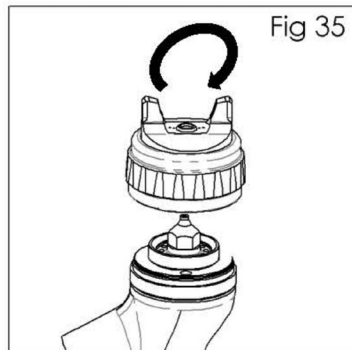
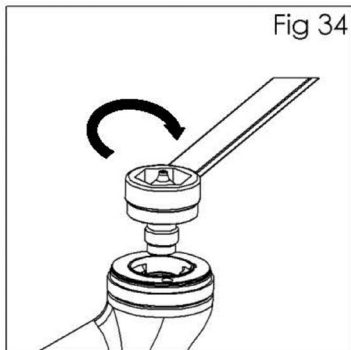
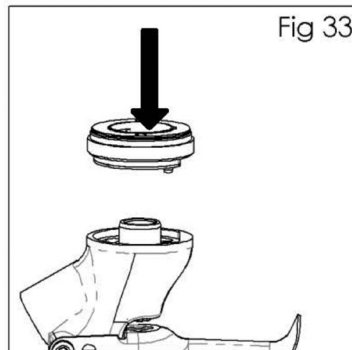
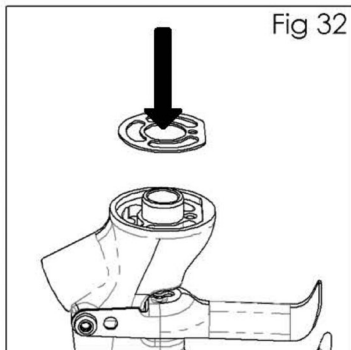
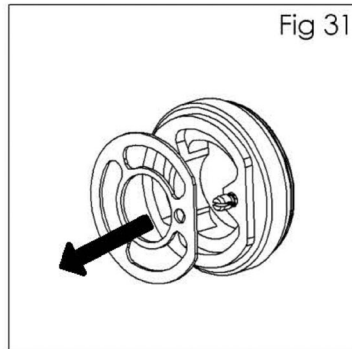
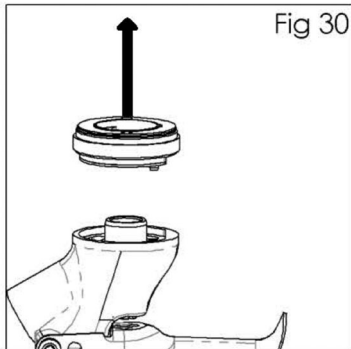
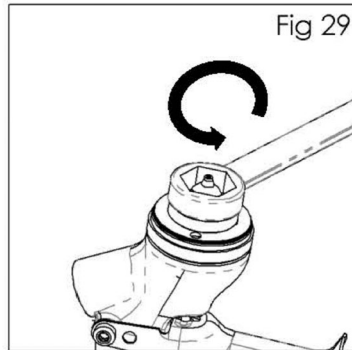
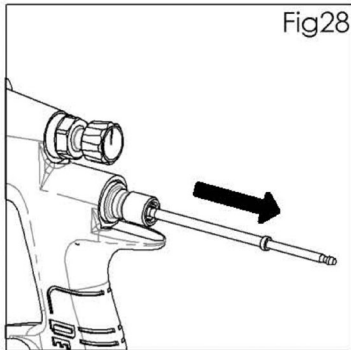
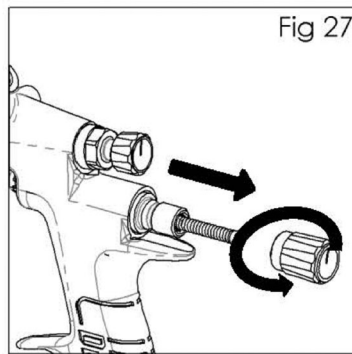
## FLUID SUPPLY INSERT

The fluid insert and seal are NOT replaceable. (See fig 25).

Do not remove these parts.

No maintenance is required for these parts other than regular cleaning of the internal bore.





## Parts Replacement/ Maintenance

### SPRAY HEAD SEAL REPLACEMENT

1. Remove air cap and retaining ring (6). (See fig 26).
2. Remove fluid adjusting knob (28), spring (25), and spring pad (26). (See fig 27).
3. Remove fluid needle (24) from gun body. (See fig 28).
4. Remove fluid nozzle using a 10mm wrench. (See fig 29).
5. Remove spray head (9) and seal (10) (See fig 30).
6. Remove seal (10) from spray head. (See fig 31).
7. Clean front of gun if required, using a soft brush, as well as the fluid nozzle, air cap, and retaining ring.
8. Place a new seal (10) into the front of the gun, making sure the flat of the seal is aligned to the flat in the gun. (See fig 32).
9. Fit the spray head (9), making sure the pin is engaged into the hole in the gunbody. (See fig 33).
10. Fit fluid nozzle (8), air cap and retaining Ring (6). Torque the fluid nozzle to 18–20 Nm (13–15 ft-lbs). Do not over torque the fluid nozzle. (See figs 34, and 35)
11. Reassemble remaining parts in reverse order — fluid needle ( 24), needle spring and pad (29), and fluid adjusting knob (28).
12. Trigger gun fully and screw in fluid adjusting knob (28) until it stops. Back it off 1/2 turn and gun will have full needle travel.
13. Trigger gun several times to verify correct operation.

# Parts Replacement/Maintenance

## Chart 1 – Air Caps

ORDER NO. FOR AIR CAP	NUMBER ON CAP	RECOMMENDED INLET PRESSURE BAR/PSI	AIR FLOW LPM/SCFM
704165 (High Efficiency)	PR10	1.8 – 2.0 bar 26 – 29 psi	311 – 340 LPM 11 – 12 SCFM
704166 (HVLP)	PR30	1.2 – 1.4 bar 17 – 21 psi	396 – 453 LPM 14 – 16 SCFM

**NOTE 1:** Guns with HVLP caps must not exceed 0.7 bar (10 psi) air cap pressure with gun fully triggered. (Approximately 21 psi gun inlet pressure.) (See accessories for air cap test kit which is available to set the exact cap pressure.)

**NOTE 2:** When removing air cap from retaining ring, don't remove slip ring (2) or retaining ring seal (5) from retaining ring. Damage to the parts may occur. Slip ring and retaining ring seal are not available as replacements. Simply wipe parts clean and reassemble with new or clean air cap.

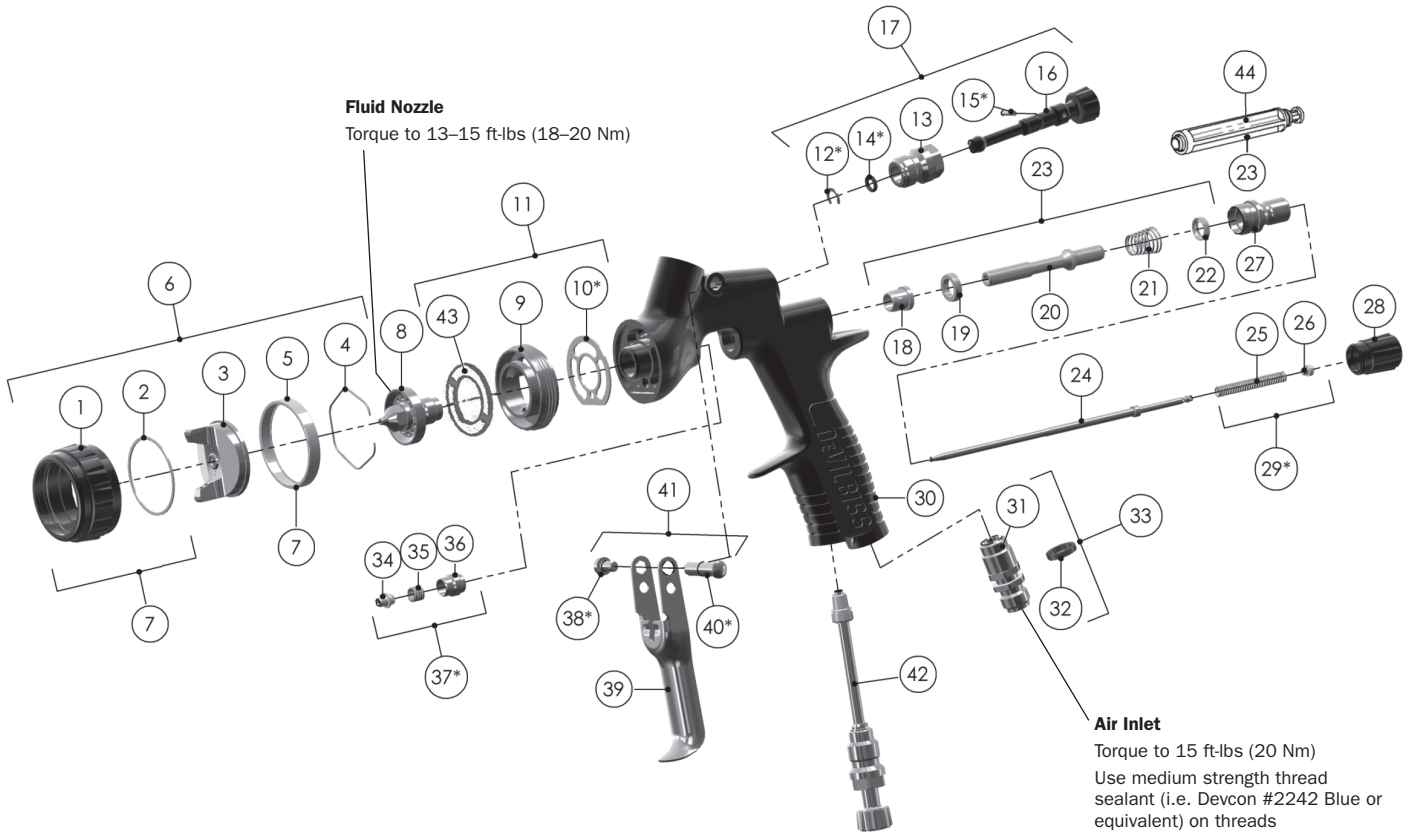
## Chart 2 – Fluid Nozzles & Fluid Needles

ORDER NO. FOR FLUID NOZZLE	NO. ON FLUID NOZZLE	TIP SIZE I.D. (MM)	NO. ON FLUID NEEDLE	ORDER NO. FOR FLUID NEEDLE
704168	PRIPRO-220-14	1.4	PRIPRO-320	704167
704169	PRIPRO-220-16	1.6		
704170	PRIPRO-220-18	1.8		
704171	PRIPRO-220-20	2.0		
704172	PRIPRO-220-25	2.5		

## Chart 3 – UV Fluid Nozzles & Fluid Needles – Accessories

ORDER NO. FOR FLUID NOZZLE	NO. ON FLUID NOZZLE	TIP SIZE I.D. (MM)	NO. ON FLUID NEEDLE	ORDER NO. FOR FLUID NEEDLE
704245	PRIPRO-219-UV1-K	1.1	PRIPRO-319-K	704247
704246	PRIPRO-219-UV2-K	1.2		





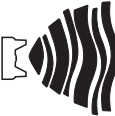
**NOTE:** When replacing the fluid nozzle or fluid needle, replace both at the same time. Lightly lubricate the threads of the fluid nozzle before reassembling. Torque to 18–20 Nm (13–15 ft-lbs). Don't over tighten the fluid nozzle. Use 10 mm wrench supplied with gun.



REF. NO.	DESCRIPTION	PART NO.	QTY
1	Air Cap Retaining Ring		1
2	Slip Ring		1
3	Air Cap		1
4	Air Cap Retaining Clip	191972	1
5	Retaining Ring Seal		1
6	Aircap & Ring	See chart 1 p11	1
7	Air Cap Retaining Ring & Seals	703896	1
8	Fluid Nozzle	See chart 2 p11	1
9	Spray head		1
*10	Spray head Seal	702726	1
11	Spray head kit	703529	1
*12	Circlip		1
13	Valve Body		1
*14	O Ring		1
*15	Spreader Valve Pin		1
16	Spreader Valve Adjusting Knob		1
17	Spreader Valve Assembly	703898	1
18	Front Valve Seal		1
19	Valve Seat		1
20	Spindle		1
21	Air Valve Spring		1
22	Rear Valve Seal		1
23	Air Valve Kit	703530	1
24	Fluid Needle	See chart 2 or 3, p11	1
25	Needle Spring		1
26	Spring Pad		1
27	Housing & Seal Kit	703532	1
28	Fluid Adjusting Knob	704163	1
*29	Needle Spring Kit	703534	1
30	Gunbody		1

REF. NO.	DESCRIPTION	PART NO.	QTY
31	Air Inlet		1
32	Colour ID Ring Kit (4 Colours)	702735	1
33	Air Inlet Kit	702734	1
34	Needle Packing		1
35	Packing Spring		1
36	Packing Nut		1
*37	Packing, Spring and Packing Nut Kit	702731	1
*38	Trigger Screw		1
39	Trigger		1
*40	Trigger Stud		1
41	Trigger, Stud & Screw Kit	703535	1
42	Cheater Valve	704164	1
43	Baffle Plate	704162	1
44	Air Valve Service Tool (only included in the Air Valve Kit 23)		
<b>SERVICE PARTS</b>			
Spray Gun repair kit (includes items marked *)		703536	
Seal and Pin Kit, kit of 5 (items 12, 14 and 15)		192229	

## Troubleshooting Possible Problems in Operation




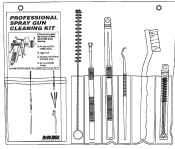


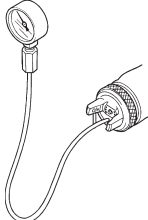




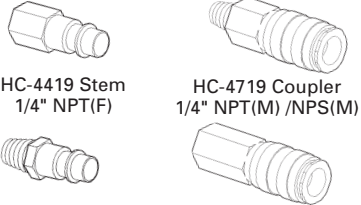
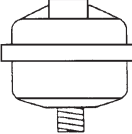

CONDITION	CAUSE	CORRECTION
<b>Heavy top or bottom pattern</b> 	Horn holes plugged. Obstruction on top or bottom of fluid nozzle. Cap and/or nozzle seat dirty.	Clean. Ream with non-metallic point. Clean. Clean
<b>Heavy right or left side pattern</b> 	Left or right side horn holes plugged. Dirt on left or right side of fluid nozzle.	Clean. Ream with non-metallic point. Clean.
<b>Remedies for the top-heavy, bottom-heavy, right-heavy, and left-heavy patterns:</b>		
1. Determine if the obstruction is on the air cap or the fluid nozzle. Do this by making a test spray pattern. Then, rotate the cap one-half turn and spray another pattern. If the defect is inverted, obstruction is on the air cap. Clean the air cap as previously instructed. Also check for dried paint just inside the cap center hole opening; remove by washing with solvent.		
2. If the defect is not inverted, it is on the fluid nozzle. Clean nozzle. Check for a fine burr on the edge of the fluid nozzle. Remove with #600 wet or dry sandpaper.		
<b>Heavy centre pattern</b> 	Spreader adjustment valve set too low. Atomising pressure too low. Material too thick.	Turn out counter clockwise to achieve proper pattern. Increase pressure. Thin to proper consistency.
<b>Split spray pattern</b> 	Atomisation air pressure too high. Fluid adjusting knob turned in too far. Spreader adjusting valve set too high.	Reduce at regulator or gun handle. Turn out counter clockwise to achieve proper pattern. Turn in clockwise to achieve proper pattern.
<b>Jerky or fluttering spray</b> 	*Loose or damaged fluid nozzle/seat. Loose or broken cup fluid nipple. Material level too low. Container tipped too far. Obstruction in fluid passage. Loose fluid needle packing nut. Damaged fluid needle packing.	Tighten or replace. Tighten or replace cup. Refill. Hold more upright. Back flush with solvent. Tighten. Replace.
<b>Unable to get round spray</b>	Spreader valve not seating properly. Air cap retaining ring loose.	Clean or replace. Tighten.
<b>Will not spray</b>	No air pressure at gun. Fluid adjusting knob not open enough. Fluid too heavy for gravity feed.	Check air supply and air lines, blow out gun air passages. Turn out counter clockwise. Thin material and/or change to larger fluid nozzle size.
<b>Paint bubbles in cup</b>	Fluid nozzle not tight.	Tighten to 18–20 Nm (1.3–1.5 ft-lbs).
<b>Fluid leaking or dripping from cup lid</b>	Cup lid loose. Dirty cup or lid. Cracked cup or lid.	Push in or replace. Clean. Replace cup and lid.
<b>Starved spray pattern</b>	Inadequate material flow. Low atomisation air pressure.	Back fluid adjusting knob out or change to larger fluid nozzle size. Increase air pressure and rebalance gun.
<b>Excessive overspray</b>	Too much atomisation air pressure. Gun too far from work surface. Improper stroking (arcing, gun motion too fast).	Reduce pressure. Adjust to proper distance. Move at moderate pace, parallel to work surface.
<b>Excessive fog</b>	Too much or too-fast-drying thinner. Too much atomisation air pressure.	Remix properly. Reduce pressure.
<b>Dry spray</b>	Air pressure too high. Gun too far from work surface. Gun motion too fast. Gun out of adjustment.	Reduce air pressure. Adjust to proper distance. Slow down. Adjust.
<b>Fluid leaking from packing nut</b>	Packing nut loose. Packing worn.	Tighten. Replace.

\*Most common problem.

**Troubleshooting Possible Problems in Operation (cont'd)**

CONDITION	CAUSE	CORRECTION
<b>Fluid leaking or dripping from front of gun</b>	Fluid nozzle or fluid needle worn or damaged. Foreign matter in fluid nozzle. Fluid needle spring broken. Wrong size fluid needle or fluid nozzle.	Replace fluid nozzle and fluid needle.  Clean. Replace. Replace fluid nozzle and fluid needle.
<b>Fluid dripping or leaking from bottom of cup</b>	Cup loose on gun. Cup threads dirty.	Tighten Clean.
<b>Runs and sags</b>	Too much material flow.  Material too thin. Gun tilted on an angle, or gun motion too slow.	Turn fluid adjusting knob clockwise or switch to smaller fluid nozzle and fluid needle size.  Mix properly or apply light coats. Hold gun at right angle to work and adapt to proper gun technique.
<b>Thin, sandy coarse finish drying before it flows out</b>	Gun too far from surface.  Too much air pressure.  Improper thinner being used.	Check distance. Normally approx. 150–200 mm (6–8"). Reduce air pressure and check spray pattern. Follow paint manufacturer's mixing instructions.
<b>Thick, dimpled finish "orange peel"</b>	Gun too close to surface.  Air pressure too low.  Improper thinner being used.  Material not properly mixed.  Surface rough, oily, dirty.	Check distance. Normally approx. 150–200 mm (6–8"). Too much material coarsely atomised. Increase air pressure or reduce fluid flow. Follow paint manufacturer's mixing instructions. Follow paint manufacturer's mixing instructions. Properly clean and prepare.

**Accessories**

<p><b>702576 TEKNA 900cc Aluminum Cup</b></p>  <p>Easy to use and clean design.</p>	<p><b>HAV-555 DeVilbiss Air Adjusting Valve with Gauge</b></p>  <p>Use to precisely set air pressure to gun.</p>	<p><b>HAV-500 OR HAV-511 Adjusting Valve (HAV-511 SHOWN)</b></p>  <p>HAV-500 does not have pressure gauge. Use to control air usage at gun.</p>	<p><b>192212 Professional Spray Gun Cleaning Kit</b></p>  <p>Contains six precision tools designed to effectively clean all DeVilbiss, Binks, Finishline and other brand spray guns.</p>	<p><b>JGA-156-K10 Spring Clips</b></p>  <p>Joins any single piece DeVilbiss air cap with latest version to retaining ring. Helps prevent part loss and provides easier assembly.</p>	<p><b>192218 Scrubs® Hand Cleaner Towels</b></p>  <p>Scrubs® are a pre-moistened hand cleaner towel for painters, body men and mechanics that go where you go and no water is needed.</p>
<p><b>704173 PR30 Air Cap Test Kit</b></p> <p>The purpose of this test kit is to measure air cap atomizing air pressure at the center air port of the air cap. Used to confirm code compliance and as a daily quality control measure.</p> 	<p><b>40-128 Twin Cartridge, Paint Spray Respirator</b></p>  <p>NIOSH-Certified (TC84A-1623) for respiratory protection in atmospheres not immediately dangerous to life.</p>	<p><b>704240 (GFC-515) Black Polyester UV Gravity Cup</b></p>  <p>For use with UV primers.</p>	<p><b>704241 (PRO-46-K3) Protective Air Cap Cover</b></p>  <p>For use with UV primers.</p>	<p><b>Spray Gun Lube SSL-10 (2 oz. bottle)</b></p>  <p>Compatible with all paint materials; contains no silicone or petroleum distillates to contaminate paint. SDS Sheet available upon request.</p>	
<p><b>Automotive Refinish Quick Connects For HVLP Guns (Air) High Flow Type.</b></p>  <p>HC-4419 Stem 1/4" NPT(F) HC-4719 Coupler 1/4" NPT(M)/NPS(M) HC-1166 Stem 1/4" NPT(M) HC-4720 Coupler 1/4" NPT(F)</p>		<p><b>HAF-507 Whirlwind™ In-Line Air Filter</b></p>  <p>Removes water, oil, and debris from the air line.</p>	<p><b>702740 TEKNA Wrench</b></p>  <p>14 mm 10 mm For maintenance use.</p>		





---

## WARRANTY POLICY

This product is covered by Carlisle Fluid Technologies' materials and workmanship limited warranty. The use of any parts or accessories, from a source other than Carlisle Fluid Technologies, will void all warranties. Failure to reasonably follow any maintenance guidance provided may invalidate any warranty.

For specific warranty information please contact Carlisle Fluid Technologies.

Carlisle Fluid Technologies is a global leader in innovative finishing technologies. Carlisle Fluid Technologies reserves the right to modify equipment specifications without prior notice.

DeVilbiss®, Ransburg®, ms®, BGK®, and Binks®  
are registered trademarks of Carlisle Fluid Technologies, Inc.

©2018 Carlisle Fluid Technologies, Inc.  
All rights reserved.

---

For technical assistance or to locate an authorized distributor,  
contact one of our international sales and customer support locations.

<b>Region</b>	<b>Industrial / Automotive</b>	<b>Automotive Refinishing</b>
Americas	Tel: 1-800-992-4657 Fax: 1-888-246-5732	Tel: 1-800-445-3988 Fax: 1-800-445-6643
Europe, Africa, Middle East, India	Tel: +44 (0)1202 571 111 Fax: +44 (0)1202 573 488	
China	Tel: +8621-3373 0108 Fax: +8621-3373 0308	
Japan	Tel: +81 45 785 6421 Fax: +81 45 785 6517	
Australia	Tel: +61 (0) 2 8525 7555 Fax: +61 (0) 2 8525 7575	

For the latest information about our products, visit [www.carlisleleft.com](http://www.carlisleleft.com)