

# Ransburg. BINKS.

## Product Family: Color Change Valves (CCV Valves)

**Models Affected:** CCV-403-SS (Gold End Cap), CCV-503-SS (Blue End Cap)

Carlisle Fluid Technologies has identified a production issue that warrants notification to our customers.

### Identifying parts impacted:

CCV valves missing the radial holes around the valve body in Figure 1 are impacted. The radial holes should be in the valve body as shown in Figure 2.

### Action needed:

Contact Carlisle Fluid Technologies for a replacement valve, a RMA will be issued at no cost.

### CAUTION:

Leaving the color valve on-line without the radial holes may affect performance of the valve and (however unlikely) a potential safety concern. The valve stem could possibly be sluggish or could not seat as expected. Operating without the radial holes may affect optimal performance of the entire system.

Radial holes missing on valve body  
**Qualifies for replacement**

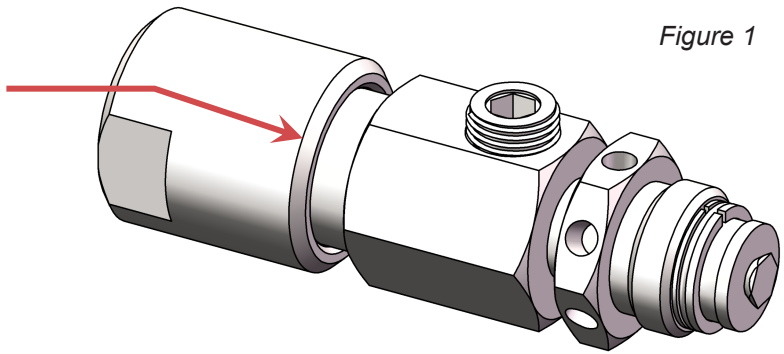
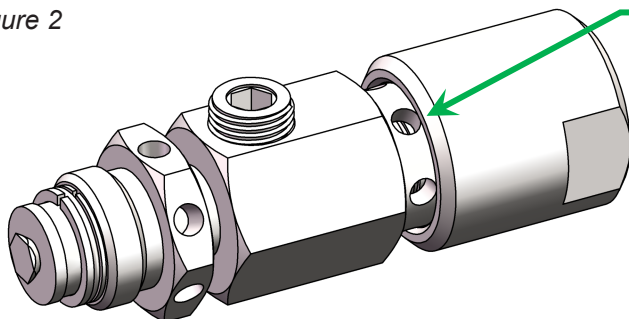


Figure 1

Figure 2



Correct Valve body  
Radial holes should be present

## WARRANTY POLICY

This product is covered by Carlisle Fluid Technologies' materials and workmanship limited warranty. The use of any parts or accessories, from a source other than Carlisle Fluid Technologies, will void all warranties. Failure to reasonably follow any maintenance guidance provided, may invalidate any warranty.

For specific warranty information please contact Carlisle Fluid Technologies.

Carlisle Fluid Technologies is a global leader in innovative finishing technologies. Carlisle Fluid Technologies reserves the right to modify equipment specifications without prior notice.

DeVilbiss<sup>®</sup>, Ransburg<sup>®</sup>, MS<sup>®</sup>, BGK<sup>®</sup>, and Binks<sup>®</sup>,  
are registered trademarks of Carlisle Fluid Technologies, Inc.

©2019 Carlisle Fluid Technologies, Inc.  
All rights reserved.

For technical assistance or to locate an authorized distributor, contact one of our international sales and customer support locations.

<b>Region</b>	<b>Industrial / Automotive</b>	<b>Automotive Refinishing</b>
Americas	Tel: 1-800-992-4657 Fax: 1-888-246-5732	Tel: 1-800-445-3988 Fax: 1-800-445-6643
Europe, Africa Middle East, India	Tel: +44 (0)1202 571 111 Fax: +44 (0)1202 573 488	
China	Tel: +8621-3373 0108 Fax: +8621-3373 0308	
Japan	Tel: +81 45 785 6421 Fax: +81 45 785 6517	
Australia	Tel: +61 (0) 2 8525 7555 Fax: +61 (0) 2 8525 7575	

For the latest information about our products, visit [www.carlisleleft.com](http://www.carlisleleft.com)