

Ransburg® SOLVENT EFFECTS ON #2 HANDGUN BELL / BRUSH WEAR

EFFECTS OF SOLVENT ON NO. 2 HANDGUN BELLS

Do Not Soak the No. 2 Handgun Bells in any solvent. Soaking will deteriorate the bell's performance and void warranty.

Comprehensive testing conducted on the No. 2 Handgun bells has determined the effect of cleaning bells in different solvents. The following will serve as a guideline for solvents selected for cleaning No. 2 Hand- gun bells.

- No. 2 Handgun bells should never be soaked in any solvent. Soaking will affect the electrical properties of the bell and produce poor spray performance. Soaking will also void any warranty of the bell.
- Cleaning of the No. 2 Handgun bell with any of the following solvents will have a harmful effect on the bell's conductivity.
 - Methyl Ethyl Ketone [MEK] (141-78-6)
 - Acetone (67-64-1)
 - Methylene Chloride (75-09-2)
 - "Lacquer Thinner"
 - "Epoxy Reducers" with contain Ketones

NOTE: Acetone has become a very popular solvent of use because of its EPA status. This solvent should be avoided when working with the No. 2 Handgun. It not only effects the bell performance, but also has a very low flash point (-18°F). No. 2 Handgun bells should NOT be cleaned in it and the use of coatings containing Acetone should be avoided.

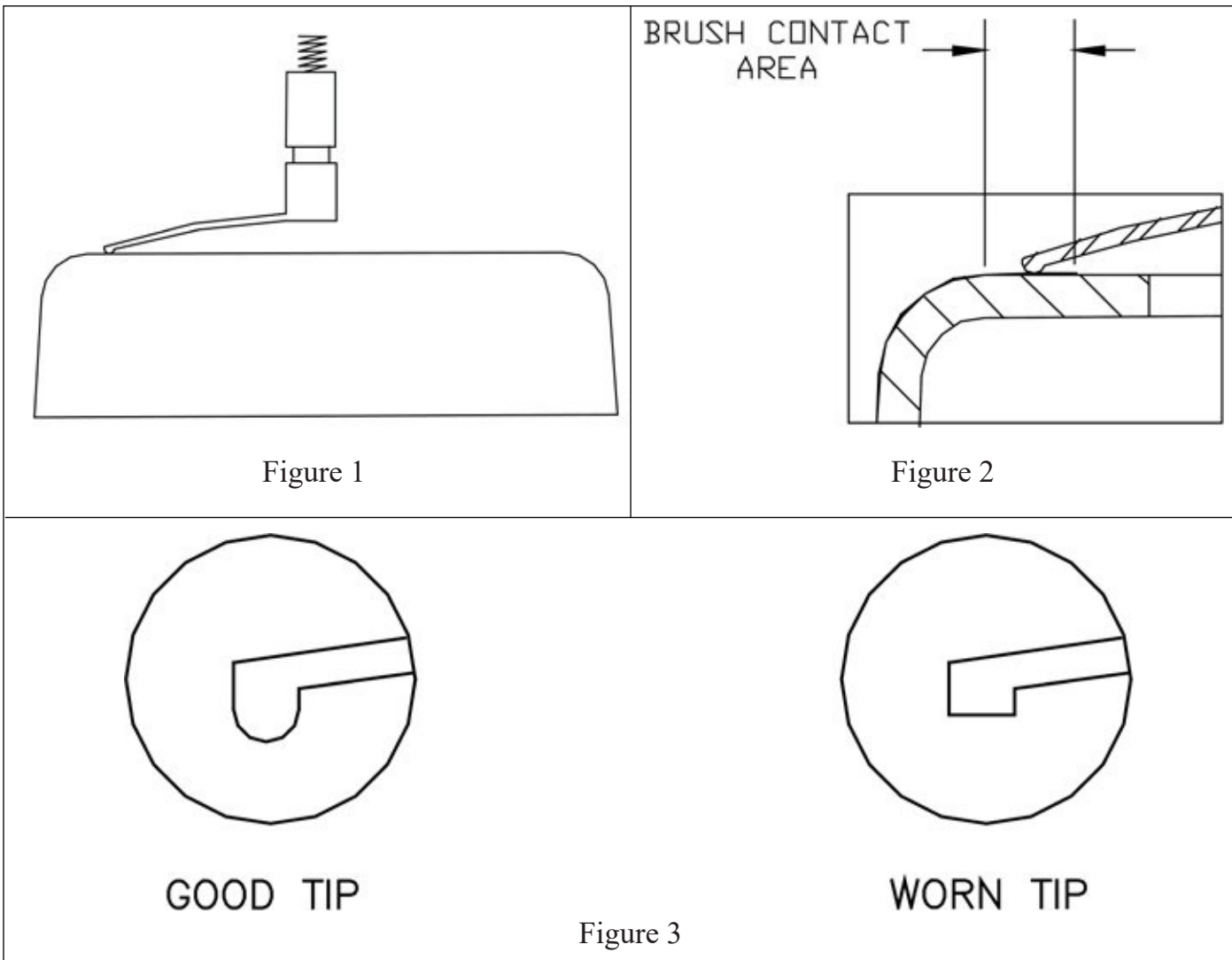
- Some solvent blends containing Glycol Ether will not affect the electrical conductivity of the No. 2 Handgun bell but do cause a problem with pattern size. Glycol Ethers leave a conductive residue on the insulating hub of the bell, which leaks voltage from the rim across the probe of the bell. This results in an enlarged center hole pattern and decreased atomization. Some of these solvents are:
 - **Butyl Cellosolve (111-76-2)**
 - **Methyl Cellosolve (109-86-4)**
 - **Ethyl Cellosolve (110-80-5)**
- To avoid problems with atomization and achieve the maximum length of life for the bells, the solvents suggested for cleaning (not soaking) are:
 - **Toluene (108-88-3)**
 - **Xylene (1330-02-07)**
 - **Mineral Spirits**
 - **Solvesso-100**
 - **Solvesso-150**

In very high humidity environments spray pattern and hole size may become unacceptably large. In these instances, you may wish to try the "Florida Bell" (P/N 11488-01).

NO. 2 HANDGUN BRUSH POSITIONING AND WEAR

When installing the electrical contact brush (P/N 3695-00), it is important that it is properly positioned to provide **LIGHT CONTACT** with the bell conductive coating. Excessive contact pressure from the contact brush will wear away the conductive coating or the brush tip, causing poor electrical contact. The small plastic pad at the tip of the brush arm should lightly contact the black bell coating, **not the wire**. The tip of the brush should not extend past the edge of the bell cup or into the radius at the edge (see Figure 2).

The brush should normally have a slight curve to the arm. The more pressure applied the lesser the curve (see Figure 1). The tip of the brush assembly must be inspected prior to each use for wear. When one-half (1/2) of the plastic tip is worn away the brush assembly should be replaced (see Figure 3). (**Note:** When the radius portion of the plastic tip is gone, this is equal to one-half of the brush tip.)



Technical/Service Assistance

Telephone: 800/ 233-3366 Fax: 419/ 470-2071

(Technical Support Representative will direct you to the appropriate telephone number for ordering Spare Parts.)

WARRANTY POLICY

This product is covered by Carlisle Fluid Technologies' materials and workmanship limited warranty. The use of any parts or accessories, from a source other than Carlisle Fluid Technologies, will void all warranties. For specific warranty information, please contact Carlisle Fluid Technologies..

Carlisle Fluid Technologies is a global leader in innovative finishing technologies.
Carlisle Fluid Technologies reserves the right to modify equipment specifications without prior notice.

DeVilbiss[®], Ransburg[®], MS[®], BGK[®], and Binks[®],
are registered trademarks of Carlisle Fluid Technologies, Inc.

©2019 Carlisle Fluid Technologies, Inc.
All rights reserved.

For technical assistance or to locate an authorized distributor, contact one of our international sales and customer support locations.

Region	Industrial / Automotive	Automotive Refinishing
Americas	Tel: 1-800-992-4657 Fax: 1-888-246-5732	Tel: 1-800-445-3988 Fax: 1-800-445-6643
Europe, Africa Middle East, India	Tel: +44 (0)1202 571 111 Fax: +44 (0)1202 573 488	
China	Tel: +8621-3373 0108 Fax: +8621-3373 0308	
Japan	Tel: +81 45 785 6421 Fax: +81 45 785 6517	
Australia	Tel: +61 (0) 2 8525 7555 Fax: +61 (0) 2 8525 7575	
Switzerland	Tel: +41 71 727 13 70 Email: csms@carlisleleft.com	

For the latest information about our products, visit www.carlisleleft.com