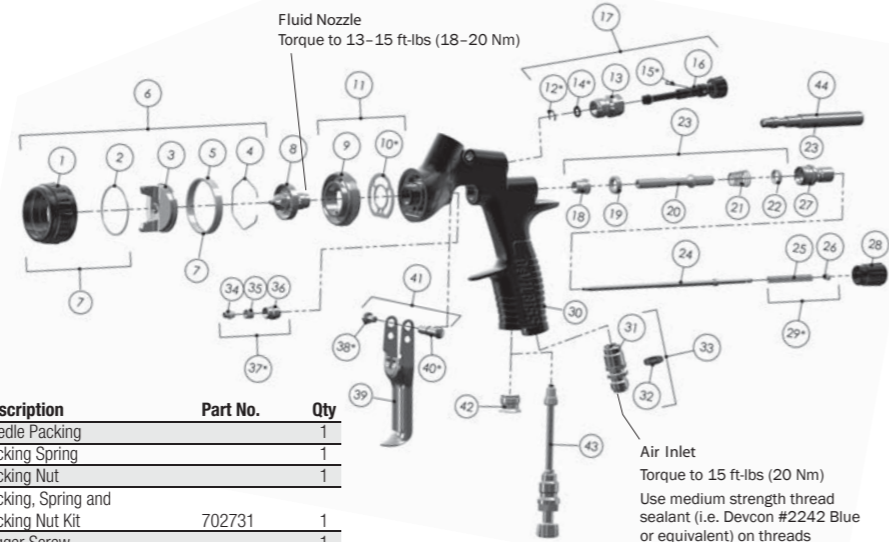


Ref. No.	Description	Part No.	Qty
1	Air Cap Retaining Ring		1
2	Slip Ring		1
3	Air Cap		1
4	Air Cap Retaining Clip	191972	1
5	Retaining Ring Seal		1
6	Aircap & Ring	See chart 1	1
7	Air Cap Retaining Ring & Seals	702725	1
8	Fluid Nozzle	See chart 2	1
9	Spray head		1
*10	Spray head Seal	702726	1
11	Spray head kit	703529	1
*12	Circlip		1
13	Valve Body		1
*14	O Ring		1
*15	Spreader Valve Pin		1
16	Spreader Valve Adjusting Knob		1
17	Spreader Valve Assembly	702730	1
18	Front Valve Seal		1
19	Valve Seat		1
20	Spindle		1
21	Air Valve Spring		1
22	Rear Valve Seal		1
23	Air Valve Kit	703530	1
24	Fluid Needle	703531	1
25	Needle Spring		1
26	Spring Pad		1
27	Housing & Seal Kit	703532	1
28	Fluid Adjusting Knob	703533	1
*29	Needle Spring Kit	703534	1
30	Gunbody		1
31	Air Inlet		1
32	Colour ID Ring Kit (4 Colours)	702735	1
33	Air Inlet Kit	702734	1



Ref. No.	Description	Part No.	Qty
34	Needle Packing		1
35	Packing Spring		1
36	Packing Nut		1
*37	Packing, Spring and Packing Nut Kit	702731	1
*38	Trigger Screw		1
39	Trigger		1
*40	Trigger Stud		1
41	Trigger Stud & Screw Kit	703535	1
42	Plug		1
43	Cheater Valve (optional)	702737	1
44	Air Valve Service Tool (only included in the Air Valve Kit 23)		1

SERVICE parts Part No.
 Spray Gun repair kit (includes items marked*) 703536
 Seal and Pin Kit, kit of 5 (items 12, 14 and 15) 192229

TEKNA[®]

PRO LITE

TEKNA[®]

by DeVilbiss



TEKNA[®]
PRO

TEKNA[®]
PRO LITE

TEKNA[®]
PRO

ANY CLIMATE. ANY PAINT. ANY PAINTER.

	TEKNA [®] ProLite		
	703517	703567	703566
Air Caps	TE20 & HV30	TE10 & TE20	TE10 & TE20
Fluid Tips	1.3, 1.4, 1.5	1.2, 1.3, 1.4	1.2, 1.3, 1.4
Cup	NO	NO	YES
Digital Gauge	YES	YES	YES
Weight	420g	420g	420g

	TEKNA [®] PRO		
	703582	703581	703580
Air Caps	TE20 & HV30	TE10 & TE20	TE10 & TE20
Fluid Tips	1.3, 1.4, 1.5	1.2, 1.3, 1.4	1.2, 1.3, 1.4
Cup	NO	NO	YES
Digital Gauge	YES	YES	YES
Weight	500g	500g	500g

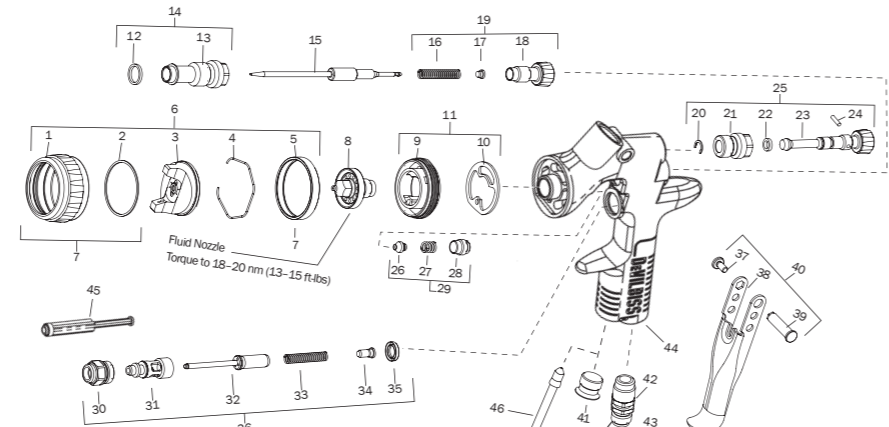
Air Cap Replacement Parts (Chart 1)

Air Cap Order No.	Air Cap	Inlet Pressure BAR/PSI	Air Flow LPM/SCFM
703540 (HVLP)	HV30	1.4-1.6 BAR 20-24 PSI	411-467 LPM 14.5-16.5 SCFM
703538 (HE)	TE10	1.4-2.4 BAR 20-35 PSI	212-311 LPM 7.5-11.0 SCFM
703539 (HE)	TE20	1.1-1.8 BAR 16-26 PSI	255-340 LPM 9-12 SCFM

Fluid Nozzles (Chart 2)

Fluid Nozzle Order No.	No. on Fluid Nozzle	Tip Size (mm)
703521	PRO-200-12	1.2
703522	PRO-200-13	1.3
703523	PRO-200-14	1.4
703589	PRO-200-15	1.5

Ref. No.	Description	Part No.	Qty
1	Air Cap Retaining Ring		1
2	Slip Ring		1
3	Air Cap		1
4	Air Cap Retaining Clip	191972	1
5	Retaining Ring Seal		1
6	Air Cap & Ring	See Chart 1	1
7	Air Cap Retaining Ring & Seals	702725	1
8	Fluid Nozzle	See Chart 2	1
9	Air Separator		1
*10	Air Separator Seal (kit of 2)	702726	1
11	Air Separator & Seal Kit	703529	1
*12	Body Bushing Gasket		1
13	Body Bushing		1
14	Body Bushing & Gasket	702728	1
15	Fluid Needle	703574	1
*16	Needle Spring		1
*17	Needle Spring Pad		1
18	Fluid Adjusting Knob		1
19	Fluid Adjusting Knob, Spring, & Pad Kit	702729	1
*20	Retaining Clip		1
*21	Spreader Valve Body		1
*22	O-ring		1
23	Spreader Valve Adjusting Knob		1
*24	Spreader Valve Pin		1
25	Spreader Valve Assembly	702730	1
*26	Needle Packing		1
*27	Packing Spring		1
*28	Packing Nut		1
29	Packing, Spring & Packing Nut Kit	702731	1
30	Air Valve Body		1
31	Air Valve Cage		1
32	Air Valve Poppet		1
33	Air Valve Spring		1
34	Air Valve Spring Pad		1
35	Air Valve Seal		1
36	Air Valve Assembly	702732	1



Ref. No.	Description	Part No.	Qty
*37	Trigger Stud Screw (T20 Star)		1
38	Trigger		1
*39	Trigger Stud		1
40	Trigger, Stud & Screw Kit	702733	1
41	Plug		1
42	Air Inlet	702734	1
43	Colour ID Ring Kit (4 Colours)	702735	1
44	Gun Body		1
45	Air Valve Service Tool (only included with Air Valve Assembly 36)		1
46	Air Adjusting Valve (optional)	702737	1

Other salable parts / accessories Part No.
 Wrench (10 & 14mm) 702740
 Seal and Pin Kit (Kit of 5)(Items 20, 22 and 24.) 192229

* The TEKNA[®] Spray Gun Repair Kit (702736) contains all the parts indicated with an asterisk.

TEKNA[®]

PRO

DEVILBISS
AUTOMOTIVE REFINISHING

email: askus@devilbissar.com
 Customer Service: 800-445-3988
 www.autorefinishdevilbiss.com

Any Climate.

Optimized performance in climates varying from hot and humid to cold and dry

Packaged as a solution with multiple components, allowing the painter to adapt to changing environments

Any Paint.

High transfer efficiency for material savings

Excellent for solvent-based coatings and a must for waterborne

Any Painter.

Customize Your Spray Gun Settings

Air Cap Selection Guide Droplet size and coating need



Fastest Cleaning Spray Gun

Coating has non-stick properties

Fully Coated Inside

- High corrosion resistance reduces paint defects
- All passages protected
- A must for waterborne



TEKNA® QuickClean™

Competitor

Fully Coated Outside

- Extremely durable
- Looks newer longer
- Scratch resistant



TEKNA® QuickClean™

Competitor



Least Wet Coating

HV30
HVLP
Spray Pattern
13-14" long
16CFM

Coatings
Basecoats
Clearcoats



Wet Coating

TE20
High Efficiency
Spray Pattern
12-13" long
12CFM

Coatings
Basecoats
High Solids
Clearcoats



Wettest Coating

TE10
High Efficiency
Spray Pattern
12-13" long
9CFM

Coatings
Basecoats
Low Solids
Clearcoats

