

RAIS FLEX®

ELECTROSTATICS



High
Performance
Finishing



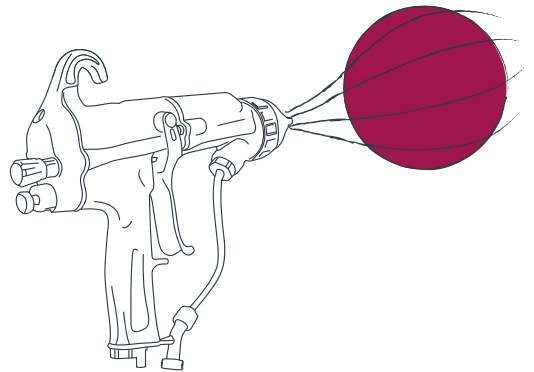
Advanced RansFlex Finishing Spray Guns Integrate The Best of Both Worlds - Ransburg® Electrostatics With Legendary DeVilbiss Atomisation Technologies

World Class Electrostatic Technology

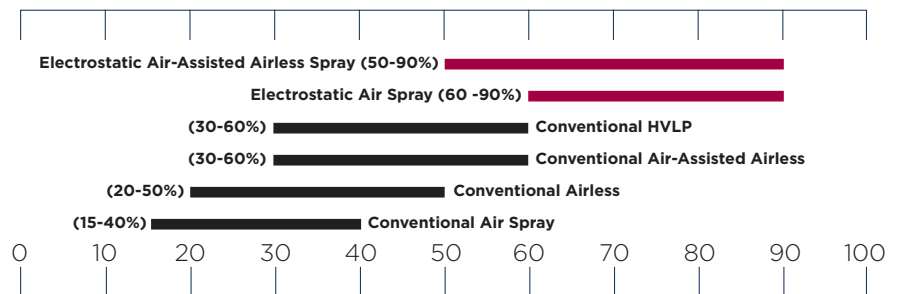
Since Ransburg invented the process over fifty-five years ago, the industry has embraced the special benefits electrostatic systems have provided. The goal of electrostatic coating's delivery of heightened transfer efficiency hasn't changed. It's to get the most paint on a given part with the least amount of waste.



- Increased transfer efficiency
- Significantly increases quality and production
- Positive environmental impact
- Reduces overspray, air pollution and VOC emissions
- Decreases coating costs
- More consistent part-to-part quality
- Reduced costs for the disposal of hazardous materials



Transfer Efficiency



This chart represents typical direct charge equipment transfer efficiencies, but not every installation. Conditions may vary due to material and application.



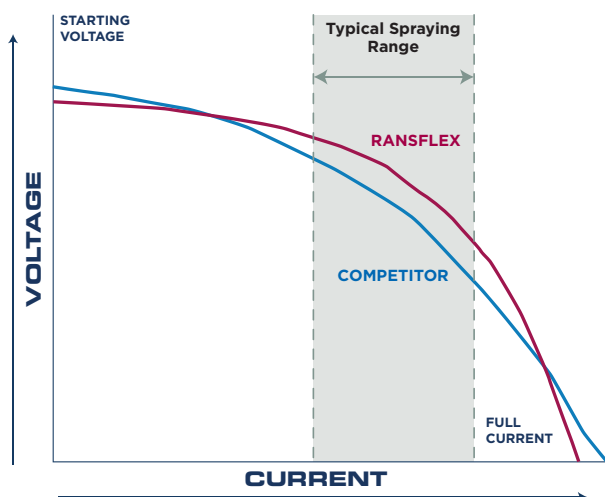
Atomisation by the Inventor

RansFlex guns incorporate legendary DeVilbiss Atomization Technology. No other gun manufacturer can claim such a wealth of engineering experience in harnessing advanced atomisation technology to attain the industry's highest levels of finishing productivity.

Higher Transfer Efficiency

With RansFlex, transfer efficiency has taken an even larger leap in providing a gun that can so noticeably deliver improved finishing quality while saving costly coating materials so significantly.

Smaller, Lighter weight RansFlex RX and RFX spray guns feature enhanced, proprietary cascade and atomisation technology. These advancements provide a compact spray gun with the equivalent - or better - performance and transfer efficiency of higher voltage competitive guns.



In the Typical Spraying Range, the RansFlex produces higher kV which results in better Transfer Efficiency and less overspray.

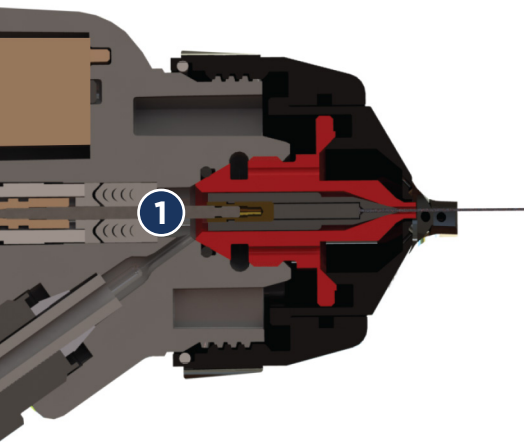
Better Inside and Out

RansFlex delivers high performance and durability in a lightweight spray gun while incorporating protected strategic components.

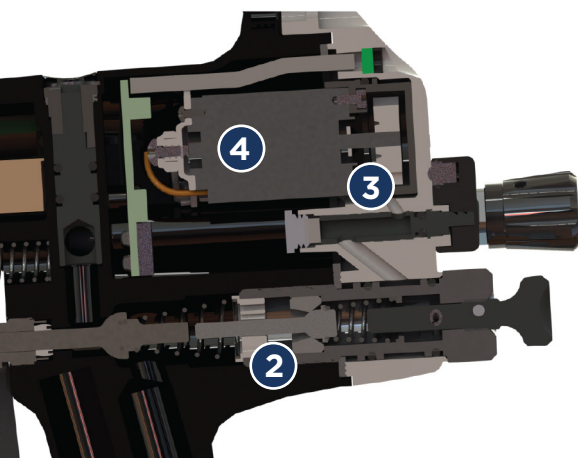
- Ergonomic fit, feel, balance and controls.
- Superior atomization and performance.
- Sleek and smooth exterior.
- Stylized, user friendly knobs.
- Quick disconnect built into gun handle (optional).
- 20% fewer parts than older style spray guns.
- Removable proprietary cascade.
- Smaller diameter fluid and air hose.
- Waterborne or solventborne models available.
- Waterborne models available in direct or indirect charge technology for application flexibility.



***RXi Model** has probes built into the air cap for indirect charge waterborne applications*

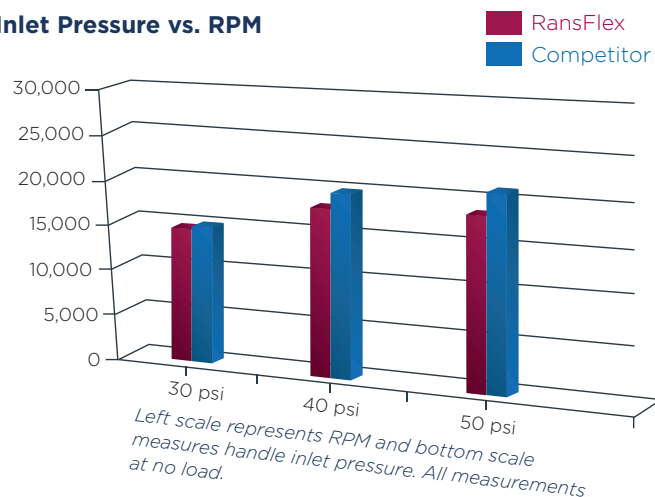


Protected Strategic Components



- 1 Solvent Proof O-ring captured in the barrel to eliminate leaks.
- 2 Cartridge valve assembly prevents paint from entering the motor cavity when the spray gun is not actuated.
- 3 Generator is located above the air valve. Gravity helps to prevent solvent and/or paint intrusion.
- 4 Computational dynamics used to optimize impellor design reducing air consumption and pressure needed to drive the turbine.

► Inlet Pressure vs. RPM



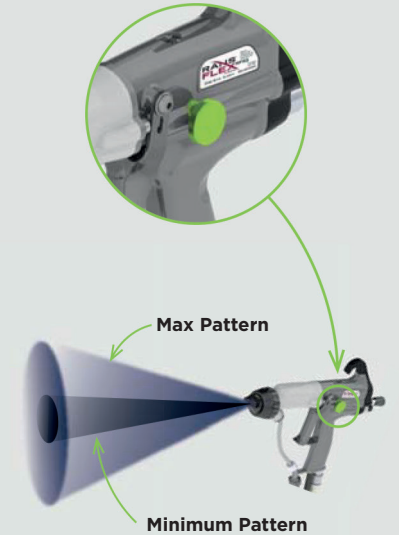
RANSFLEX

High Performance Finishing



The exterior of the spray gun is smooth for easy cleaning and maintenance

Quick Fan model features an adjustable spray pattern with a click of the button for increased productivity



RansFlex RX
Solvent

RansFlex RFX
Solvent

RansFlex RXi
Indirect Water

RansFlex RFXw
Direct Water

RansFlex RFXQ
Quick Fan Adjust

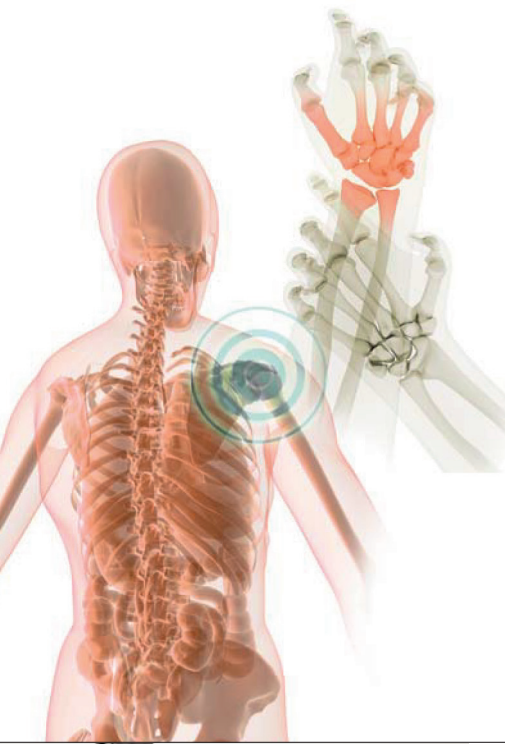
RansFlex RXQ
Quick Fan Adjust

Model #	80345	80365	80445	80520	80565	80544
Weight w/o hoses	599 g (21.3 oz.)	620 g (22.0 oz.)	599 g (21.3 oz.)	620 g (22.0 oz.)	620 g (21.3 oz.)	600 g (21.3 oz.)
Height	190.5 mm (7.5")	190.5 mm (7.5")	190.5 mm (7.5")	190.5 mm (7.5")	190.5 mm (7.5")	190.5 mm (7.5")
Width Max	41.2 mm (1 5/8")	41.2 mm (1 5/8")	41.2 mm (1 5/8")	41.2 mm (1 5/8")	41.2 mm (1 5/8")	41.2 mm (1 5/8")
Length	254 mm (10")	273 mm (10 3/4")	254 mm (10")	273 mm (10 3/4")	273 mm (10")	254 mm (10")
Operating Voltage	45 kV	65 kV	45 kV	65 kV	65 kV	45 kV
Max Current	140 mA	120 mA	140 mA	120 mA	120 mA	140 mA
Min Inlet Pressure	2.8 bar (40 psig) (dynamic at handle inlet)	2.8 bar (40 psig) (dynamic at handle inlet)	2.8 bar (40 psig) (dynamic at handle inlet)	2.8 bar (40 psig) (dynamic at handle inlet)	2.8 bar (40 psig) (dynamic at handle inlet)	2.8 bar (40 psig) (dynamic at handle inlet)
Paint Conductivity	.1 MW to infinity	.1 MW to infinity	Water based paint only	Water based paint only	.1 MW to infinity	.1 MW to infinity
Fluid Flow Capacity	1,000 ml/min.*	1,000 ml/min.*	1,000 ml/min.*	1,000 ml/min.*	1,000 ml/min.*	1,000 ml/min.*
Consumption (with Voltage)	438 slpm (15.4 scfm) @ 2.8 bar (40 psig) (at handle inlet)	438 slpm (15.4 scfm) @ 2.8 bar (40 psig) (at handle inlet)	438 slpm (15.4 scfm) @ 2.8 bar (40 psig) (at handle inlet)	438 slpm (15.4 scfm) @ 2.8 bar (40 psig) (at handle inlet)	438 slpm (15.4 scfm) @ 2.8 bar (40 psig) (at handle inlet)	438 slpm (15.4 scfm) @ 2.8 bar (40 psig) (at handle inlet)
Material	Solvent Base	Solvent Base	Water Base	Water Base	Solvent Base	Solvent Base

*depends on material viscosity and tip size selected

RansFlex Ergonomics

Lighter. Balanced.
Streamlined.



Flexibility That Feels Better In Your Hand.

RansFlex guns provide painters with a more streamlined, lightweight and ergonomic experience. Less stress on joints and muscles lowers the risks of carpal tunnel and the impact of physical strain.



Extended and rounded rear section to support the weight of the spray gun across the top of the hand.



Air inlet fitting brought up close to bracket. No special fitting required. Reduces the “treeing” effect of connectors and increases maneuverability and decreases fatigue for the operator.



Contoured area on handle for added stability. Stylized design rests comfortably in a painter’s hand.

Voltage Indicator Light

Voltage On/Off

Fan/Air Adjustment Knob

Fluid Adjustment Knob



RansFlex vs. Competition

RansFlex has been tested using the highest current standards surpassing competition

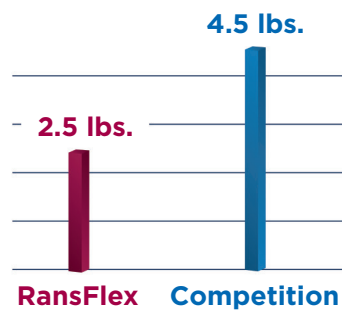
RansFlex Trigger Span

Reduced trigger span increases productivity by lowering operator fatigue.



Initial Trigger Pull

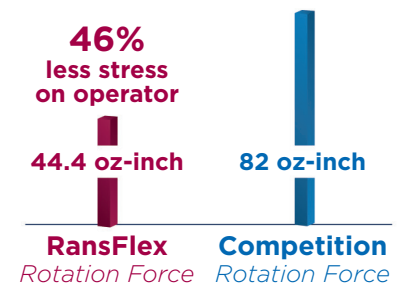
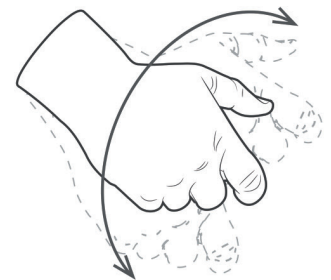
RansFlex delivers a smooth initial trigger pull applying less stress for the operator and assuring a consistent spray.



Maneuverability Torque Test

Conducted using spray guns with fluid hoses attached.

Torque on a painters hand measured in ounces-inches



RansFlex Spray Gun Wins Applause!

"WOW! This gun is super light"

"Our first move to electrostatics and we saved a gallon of paint per piece"

"The reduced overspray was clearly noticeable"

"No doubt it delivered best in class atomisation"

Easy Cleaning and Maintenance

RansFlex spray guns are designed to reduce maintenance while increasing productivity

- There are NO exposed threads on either the fan valve or turbine valve cartridge effectively eliminating a favorite place for paint to collect.
- Sub-assemblies are easily removed for cleaning and maintenance.
- The overall number of assembled parts have been significantly reduced for easy maintenance.



Proven Performance

RansFlex Spray Guns – field tested to be the best finishing spray guns available delivering the highest transfer efficiencies of any electrostatic guns in the industry.



RansFlex delivers:

- Lower air pressure required to run turbine, saving air and associated costs.
- Superior air cap performance available in air spray or TransTech technology in various pattern sizes. Based on DeVilbiss spray technology.
- Excellent balance in the hand is combined with exceptionally lightweight characteristics.
- Confidently sold with 5-year limited warranty.

If you are considering converting to electrostatics or are thinking about upgrading your spray gun, RansFlex spray guns give you all the right reasons to make the switch. To get more information, or to schedule a demonstration today, contact your local Ransburg distributor.

For further technical information refer to the Ransburg RansFlex Service Bulletins.



SOLUTIONS FOR YOUR WORLD

www.carlisleft.com

World Class Manufacturers of: | Process Controls | Curing & Conveying
Electrostatics | Fluid Handling | Powder Coating | Atomisation

Carlisle Fluid Technologies UK
Ringwood Road, Bournemouth, Dorset
England BH11 9LH

Tel: +44 (0)1202 571111
Fax: +44 (0)1202 573488
Email: marketing-uk@CarlisleFT.eu