

Ransburg ICE-Bell 2

An innovative applicator for fast drying waterborne paints

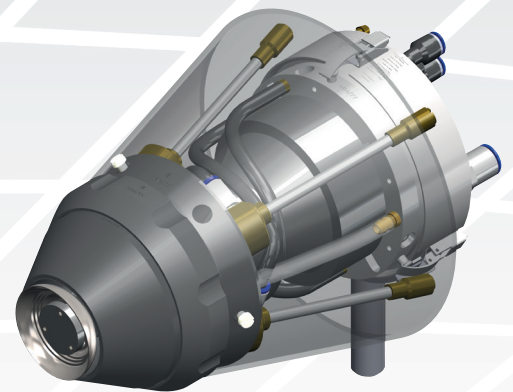
ELECTROSTATIC



The Ransburg ICE-Bell 2 is designed for the application of modern, fast drying waterborne coatings.

By employing a powerful integrated cooler shroud, the ICE-Bell 2 ensures high transfer efficiently whilst avoiding clogging of the bell cup.

This advanced technology comes with the traditional Ransburg qualities of reliability, ease of maintenance and high performance.



Specifically designed for low VOC, air-drying waterborne paints.

Electrostatic Rotary Bell Technology Gives high transfer efficiency of up to 90%

Integrated air-cooler ensures low contamination of applicator, minimising cleaning/flushing down-time

Excellent spray-pattern control and coating penetration

Hard-wearing titanium bell cups as standard

Quick disconnect features for easy servicing and spare part replacement

MARKETS AND APPLICATIONS

- Wood—Especially Window Frame Production
- Automotive Underbody Components
- Glass Décor
- Industrial Systems

Ransburg ICE-Bell 2

An innovative applicator for fast drying waterborne paints



Available with 30mm and 57mm diameter Titanium bell-cups



Available with a range of rear Valve Manifold Connections

SPECIFICATION

Weight	5.1 kg
Length	400 mm
Fluid Delivery	500 ml/min
Turbine Speed	Up to 60,000 rpm
Pattern Size	200 mm to 800 mm
Power Supply	Voltage Master 2 and MicroPak 2e



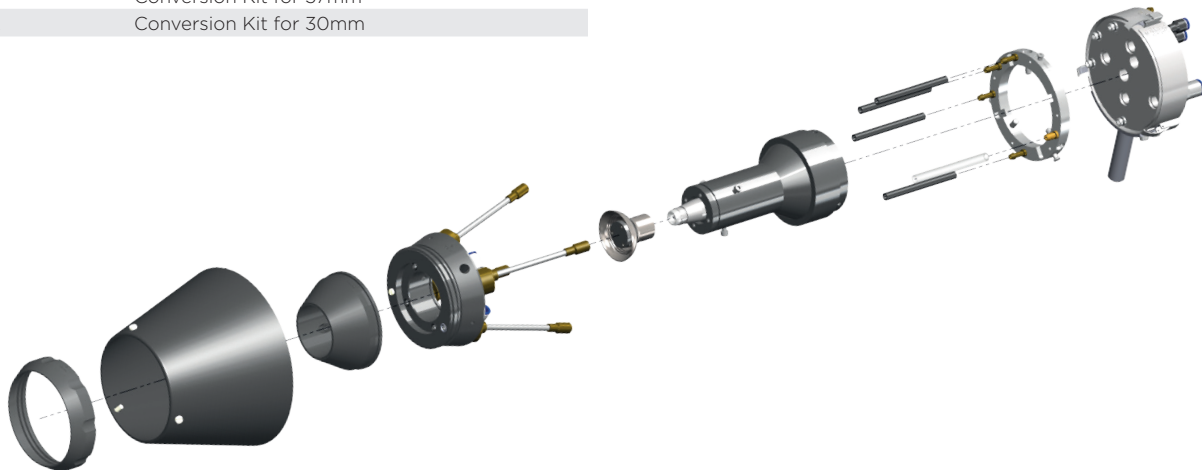
ICE-Bell 2's low operating temperature avoids contaminated bell cups like these.

ICE-BELL 2 PART NUMBERS

IB	- XX	X	X	X
	Bell cup size	Fluid Tube ID	Bell-Cup Type	Valve Option
	30 - 30mm	A - 1/8"	A - Titanium 30mm	A - No Valve
	57 - 57mm	B - 3/32"	B - Titanium 30mm	B - Trigger Valve
		C - 1/16"	Slotted	C - Trigger/Solvent Valve
			C - Titanium 57mm	D - Trigger/Dump/Solvent Valve

CONVERSION KITS FOR ORIGINAL ICE-BELL

IC-57-CK	Conversion Kit for 57mm
IC-30-CK	Conversion Kit for 30mm



SOLUTIONS FOR YOUR WORLD

www.carlisleft.com

World Class Manufacturers of: | Process Controls | Curing & Conveying
Electrostatics | Fluid Handling | Powder Coating | Atomisation

Carlisle Fluid Technologies UK
Ringwood Road, Bournemouth, Dorset
BH11 9LH, United Kingdom

Tel: +44 (0)1202 571111
Fax: +44 (0)1202 573488
Email: marketing-uk@CarlisleFT.eu