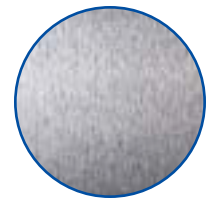
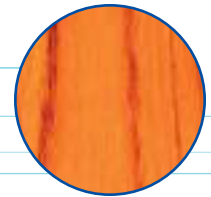
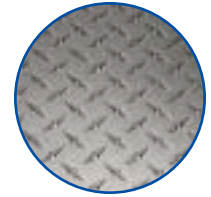




EXL HVLP Gravity Feed Spray Gun

# EXL HVLP Gravity Feed Spray Gun



- Advanced technology for the professional painter
- Precision engineered patented #2000 air cap – Meets exacting performance demands, producing an extremely fine finish with all materials. Developed in conjunction with top American and European paint companies to spray the latest materials
- Large spray pattern for fast coverage
- Even distribution of materials for no mottling or striping – Excellent color matching capabilities
- Optimum atomization for clearcoats and single stages – Produces a high gloss finish and minimizes orange peel. Excellent fluid control for applying more film build with fewer passes
- Lightweight and comfortable – Classic DeVilbiss fit and feel
- Economical servicing – Air cap, fluid tips and needles are fully interchangeable and available separately
- Highly efficient HVLP design – Complies with environmental regulation requiring high volume, low pressure. Saves material. Very little overspray
- Low air pressure and volume requirements – (GTI-5033-2000) Air Cap Test Kit (Order separately) Provides consistent setup and regulatory proof of air cap pressure
- Stainless steel fluid tip, needle and fluid inlet adapter
- Less time spent on refills – True 1-Liter aluminum cup with disposable push-on lid
- Quick clean up and upside down spraying (no cup leaks) – with E-Z Liner™ disposable cup liners

### EXL HVLP Spray Gun (EXL-620G) includes:

1-Liter aluminum cup (GFC-502) with push-on lid

Air cap cleaning kit, spray lube, fluid filter, gun hook, E-Z Liner™ disposable cup liners (OMX-70-K48)

EXL HVLP Gravity Feed Spray Gun

### Technical Specifications:

| Model No.   | Fluid Tip (mm) | Inlet Air Pressure     | Applications                                          |
|-------------|----------------|------------------------|-------------------------------------------------------|
| EXL-620G-15 | 1.5            | 20-25 psi<br>25-30 psi | Base Coats<br>Low solids clear coats<br>single stages |
| EXL-620G-18 | 1.8            | 20-25 psi<br>25-30 psi | High solids and<br>single stages                      |
| EXL-620G-22 | 2.2            | 20-25 psi<br>25-30 psi | High solids and<br>single stages                      |

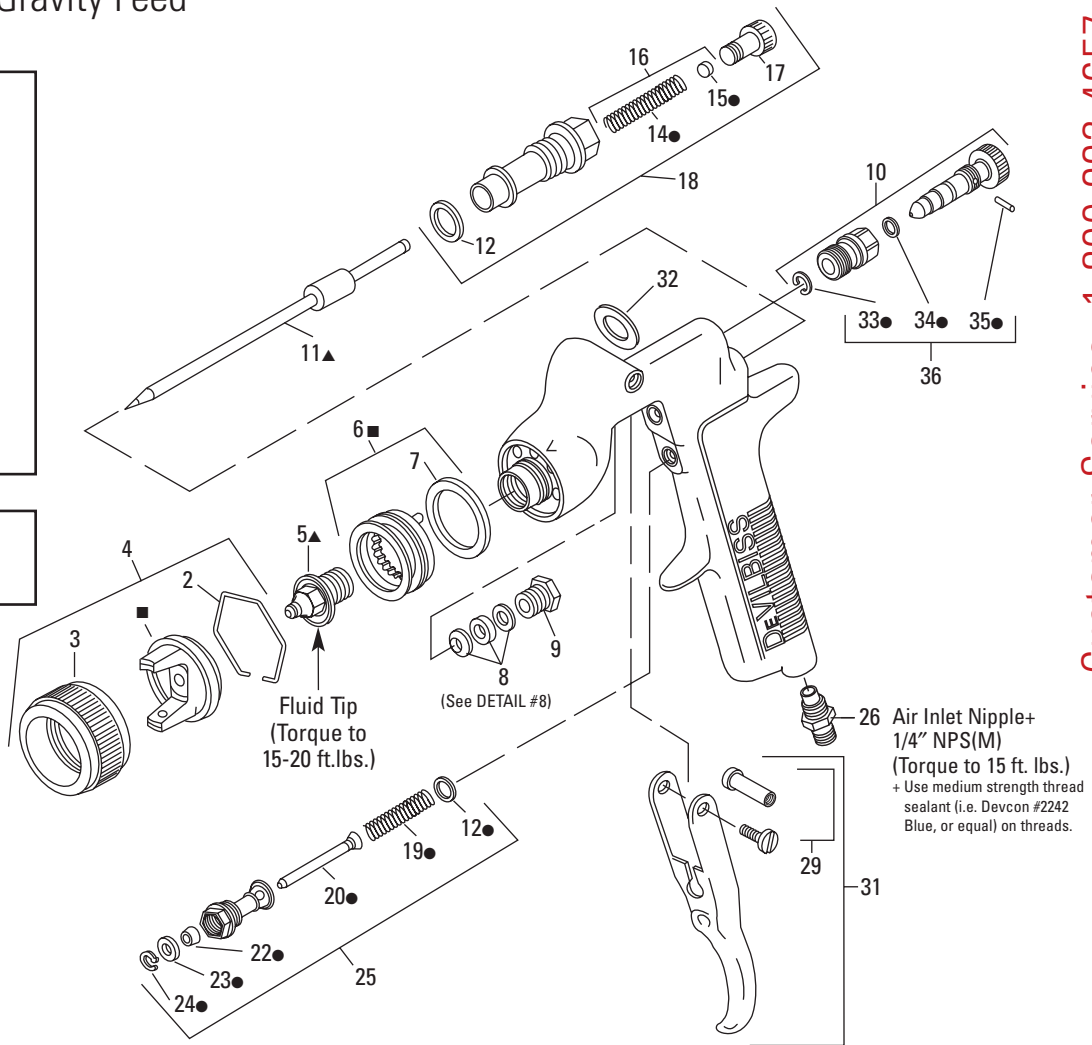
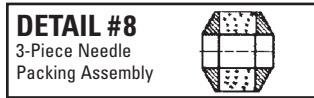
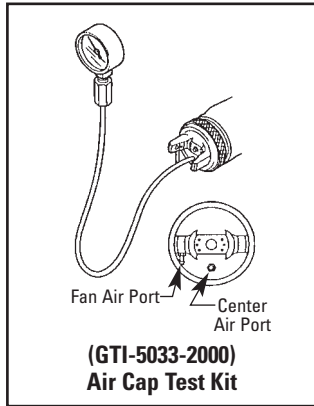
### Specifications:

30 psi inlet pressure delivers 10 psi air cap pressure and 16 cfm air volume

Refer to Service Bulletin: SB-2-202

# EXL HVLP Gravity Feed Spray Gun

(EXL-620G) HVLP Gravity Feed



Customer Service 1.800.992.4657

| Ref. No. | Model No.     | Description                        | Ind. Parts Required |
|----------|---------------|------------------------------------|---------------------|
| 2        | JGA-156-K10   | Spring Clip (Kit of 10)            | 1                   |
| 3        | GTI-3         | Air Cap Retaining Ring             | 1                   |
| 4        | GTI-407-2000  | Air Cap (#2000) and Retaining Ring | 1                   |
| 5        | See Chart 1   | Fluid Tip                          | 1                   |
| *6       | GTI-425       | Baffle Assembly                    | 1                   |
| 7        | GTI-33-K5     | Baffle Seal (Kit of 5)             | 1                   |
| *8       | JGA-4035-K5   | Packing (Kit of 5)                 | 1                   |
| 9        | 34411-122-K10 | Packing Nut                        | 1                   |
| 10       | GTI-404       | Spreader Valve                     | 1                   |
| ▲11      | GTI-413       | Fluid Needle                       | 1                   |
| *12      | JGS-72-K10    | Gasket Kit (PTFE) (Kit of 20)      | 2                   |
| 16       | MBD-19-K10    | Spring and Pad (Kit of 10)         | 1                   |
| 17       | GTI-414       | Needle Adjusting Screw             | 1                   |
| 18       | KK-5059       | Bushing, Spring, Pad and Knob Kit  | 1                   |
| 25       | JGS-449-1     | Air Valve Assembly                 | 1                   |
| +26      | P-MB-51       | Air Inlet Nipple 1/4" NPS(M)       | 1                   |
| 29       | JGS-478       | Stud and Screw Kit                 | 1                   |
| 31       | JGS-477-1     | Trigger Stud, Screw Kit            | 1                   |
| *32      | KGP-13-K5     | Cup Gasket (Kit of 5) (Not Shown)  | 1                   |
| 36       | GTI-428-K5    | Clip, Seal and Pin (Kit of 5 Each) | 1                   |
| 37       | 192219        | Gun Holder, Coated (Not Shown)     | 1                   |
| 38       | KK-5060       | Air Cap Cleaning Kit (Not Shown)   | 1                   |

\* (KK-5058-2) Gun Repair Kit includes a quantity of necessary parts.  
 Suffixes: -K5 designates kit of multiple parts. Example: JGA-4035-K5 is a kit of 5 packings.

## Chart 1 Air Cap & Baffle Combinations

| No. Stamped on Parts |               | Set                |                         | CFM@ Cap Pressure |       |       |       |        |
|----------------------|---------------|--------------------|-------------------------|-------------------|-------|-------|-------|--------|
| Air Cap Part No.     | Baffle        | Ref. No. 4 Air Cap | Ref. No. 7 Baffle Assy. | 2 psi             | 4 psi | 6 psi | 8 psi | 10 psi |
| 2000                 | (Not Stamped) | GTI-407-2000       | GTI-425                 | 7.3               | 10.4  | 12.8  | 14.7  | 16     |

## NOTE: Gun Repair Kit (KK-5058-2) Contains:

| Ref. No. | Description         | Qty. |
|----------|---------------------|------|
| 6        | Baffle Seal         | 1    |
| 8        | Packing             | 1    |
| 12       | Gasket Kit          | 2    |
| 14       | Fluid Needle Spring | 1    |
| 15       | Spring Pad          | 1    |
| 19       | Air Valve Spring    | 1    |
| 20       | Air Valve           | 1    |
| 22       | U Cup Seal          | 1    |
| 23       | Washer              | 1    |
| 24       | Snap Ring           | 1    |
| 32       | Fluid Cup Gasket    | 1    |
| 33       | Retaining Clip      | 1    |
| 34       | Seal                | 1    |
| 35       | Pin                 | 1    |

Parts marked with a \* are only available in kit KK-5058-2.

NOTE: See SB-4-043 for GFC-502 Cup parts breakdown.

## Chart 2 Fluid Tip & Needle

| Fluid Needle Model No. |                 |     |
|------------------------|-----------------|-----|
| GTI-413                |                 |     |
| Fluid Tip Model No.    | Tip Size (I.D.) |     |
|                        | In.             | mm  |
| GTI-213-12             | .047            | 1.2 |
| GTI-213-13             | .051            | 1.3 |
| GTI-213-14             | .055            | 1.4 |
| GTI-213-15             | .059            | 1.5 |
| GTI-213-16             | .063            | 1.6 |
| GTI-213-18             | .070            | 1.8 |
| GTI-213-20             | .079            | 2.0 |
| GTI-213-22             | .086            | 2.2 |

◆ Optional



DeVilbiss  
 195 Internationale Blvd.  
 Glendale Heights, IL 60139  
 630-237-5000  
 Fax 630-237-5011  
 www.devilbiss.com

