



DPC-606

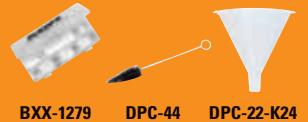


DPC-503-K24



DPC-66-K24

DPC-27-K10



BXX-1279

DPC-44

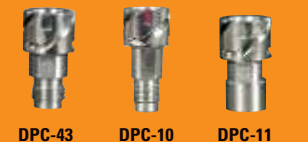
DPC-22-K24



DPC-654



DPC-650



DPC-43

DPC-10

DPC-11



DPC-504

DPC-78

DEVILBISS

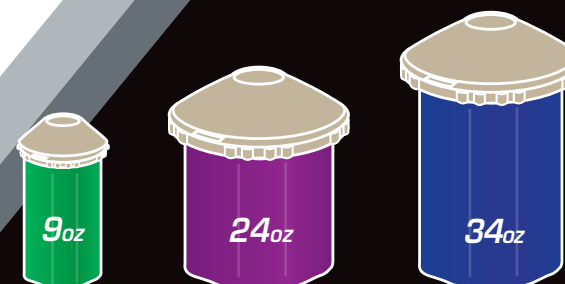
AUTOMOTIVE REFINISHING

email: askus@carlisleft.com
Customer Service: 800-445-3988
www.autorefinishdevilbiss.com

Order Number	Model Number	Description	Qty
Disposable Lids and Liners			
802100	DPC-600	34 oz./1000 ml Disposable Cup/Lid	32
802101	DPC-601	24 oz./710 ml Disposable Cup/Lid	32
802102	DPC-602	9 oz./265 ml Disposable Cup/Lid	32
803474	DPC-524	24 oz./34 oz. Disposable Lid	32
803510	DPC-503-K24	3 oz. Disposable Cup/Lid	24
803889	DPC-509	9 oz./265 ml Disposable Lid	32
Reusable Sleeve/Lid			
802972	DPC-607	9 oz./265 ml Reusable sleeve/Lid	2
802759	DPC-606	24 oz./710 ml Reusable sleeve/Lid	2
802973	DPC-608	34 oz./1000 ml Reusable sleeve/Lid	2
Disk Filters and Barrel Filters			
802976	DPC-42-K24	24 oz./34 oz 125 Micron Disk filter	24
802978	DPC-66-K24	24 oz./34 oz 200 Micron Disk filter	24
802977	DPC-65-K24	9 oz. 125 Micron Disk filter	24
802979	DPC-67-K24	9 oz. 200 Micron Disk filter	24
802108	DPC-27-K10	Barrel Filter 200 Micron	10
802107	DPC-17-K10	Barrel Filter 300 Micron	10
802106	DPC-14-K10	Barrel Filter 600 Micron	10
Measuring Guides			
802950	DPC-59-K10	24 oz. Universal measuring guide	10
802951	DPC-60-K10	9 oz. Universal measuring guide	10
802952	DPC-61-K10	34 oz. Universal measuring guide	10
Accessories			
802334	BXX-1279	Filters and Plugs Storage Case	1
802213	DPC-6-K10	Plugs	10
802212	DPC-44	Cleaning Brush	1
802109	DPC-22-K24	Disposable Funnel	24
802185	DPC-5001	Magnet Assembly	1
192316	DPC-8	Cleaning Bottle	1
Kits			
803130	DPC-654	Demo Kit Adapter for DeVilbiss/TEKNA/FinishLine/CVi/PLUS/GTi, Pri, JGA, Sharpe (1), 24 oz. Reusable Sleeve & Lid (1), 24 oz. Disposable Cups & Lids (8), Plugs (5), Disk Filter 125 Micron (4), Disk Filter 200 Micron (4), Barrel Filter 300 Micron (1), Funnel (1), Measuring Guide (1), How-to-Use Guide	1
802371	DPC-650	Shop Start Up Kit 24 oz. Reusable Sleeve & Lid (6), 9 oz. Reusable Sleeve & Lid (2), 24 oz. Disposable Cups & Lids (32), 9 oz. Disposable Cups & Lids (32), 24/34 oz. Disk Filter 125 Micron (12), 9 oz. Disk Filter 125 Micron (12), 24/34 oz. Disk Filter 200 Micron (12), 9 oz. Disk Filter 200 Micron (12), Barrel Filter 300 Micron (10), Funnel (24), 3 oz. Disposable Cups (3), Cleaning Brush, Cleaning Bottle, Magnets (5), Plugs (20), How-to-Use Guide, Plugs (20)	1
Adapters			
802200	DPC-43	DeVilbiss, TEKNA, CVi, PLUS, GTi, Pri, JGA, Binks, M1G, Sharpe Cobalt, Platinum & Titanium	1
802201	DPC-26	Accuspray Issac	1
802202	DPC-31	FinishLine 2, 3, 4	1
802203	DPC-10	SATA NR2000, RP, KLC, MCB, Jet 90 Series	1
802204	DPC-11	SATA NR95, Iwata LPH-400 & W400LV, Astro GF14, 17, & 20S, Finex FX 200 & 300	1
802205	DPC-13	Sagola	1
802206	DPC-23	DeVilbiss SRi, SRiW, SRiPro, Binks Cub	1
802340	DPC-500	3M Conversion Adapter	1
803238	DPC-502	SATA Mini, QCC + Threaded	1
803856	DPC-504	SATA QCC Full-Size	1
802955	DPC-64	StartingLine Touch-Up Gun	1
803120	DPC-69-K1	Suction Conversion Kit	1
803314	DPC-78	Iwata SuperNova, Air Gunsa, LPH300 & W300	1
803420	DPC-81	StartingLine Full-Size, Sharpe Finex 1000, 2000, 3000	1
803850	DPC-85	Accuspray Disposable Head	1

DeKUPS
by DeVilbiss

**Productivity
Performance
Profits**



The DeKups® System is covered by U.S. Patent Nos. 7,380,680; 7,354,074; 7,353,964; 7,350,418; 7,344,040; 7,263,893; 7,165,732; 7,086,549.

Increase Productivity and Efficiency

Less Cleaning – Easy disposal vs. traditional gravity cups that require significant cleaning time and solvent use

Reduces Steps – Mix and spray with one cup. Multiple filter options reduce the need to strain paint

Clean Paint Jobs – Sealed, contamination-free system

All Coatings – Works with primers, solvent basecoats, clearcoats, and waterborne coatings

Safety – Less exposure to cleaning solvents and VOC's

Storage – Temporarily store unused paint between coatings therefore reducing paint waste



Designed for Durability and Performance

Liner Collapses Evenly

Liner system provides superior fluid flow, color match, and less over mixing. Spray at any angle including upside down.

Multiple Filter Options

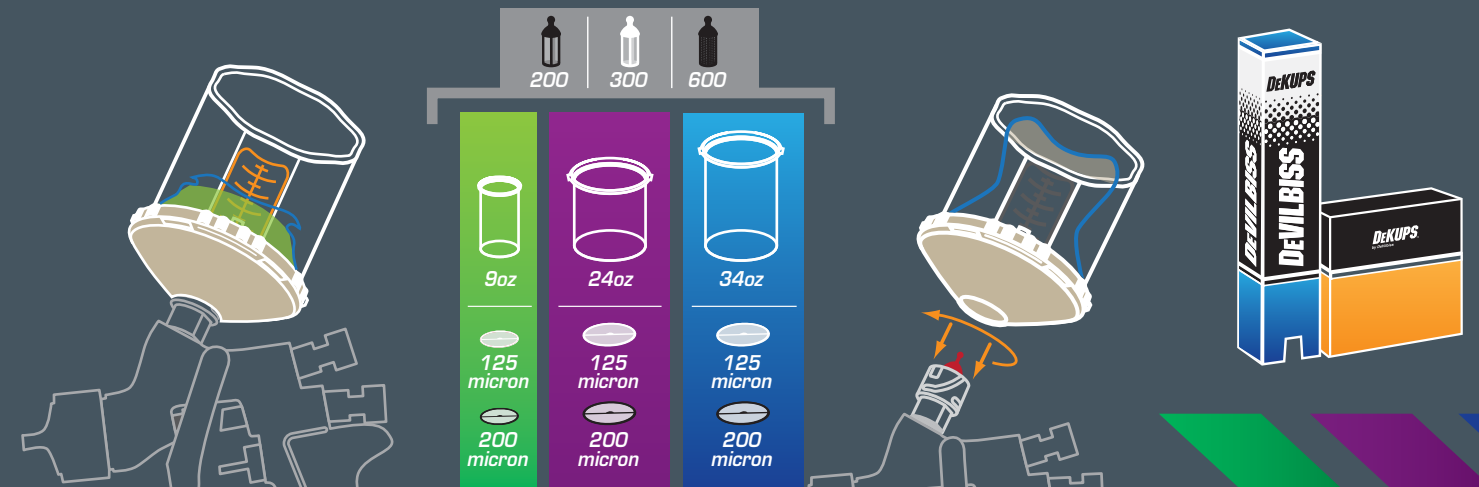
Choose the right filter for your job. Barrel filters offer additional savings, while disk filters provide sizable filtration for superior fluid flow of waterborne paints.

Positive Locking Connection

Non-threaded easy on and off design allows for a tight and secure connection. Adapters available for virtually all guns.

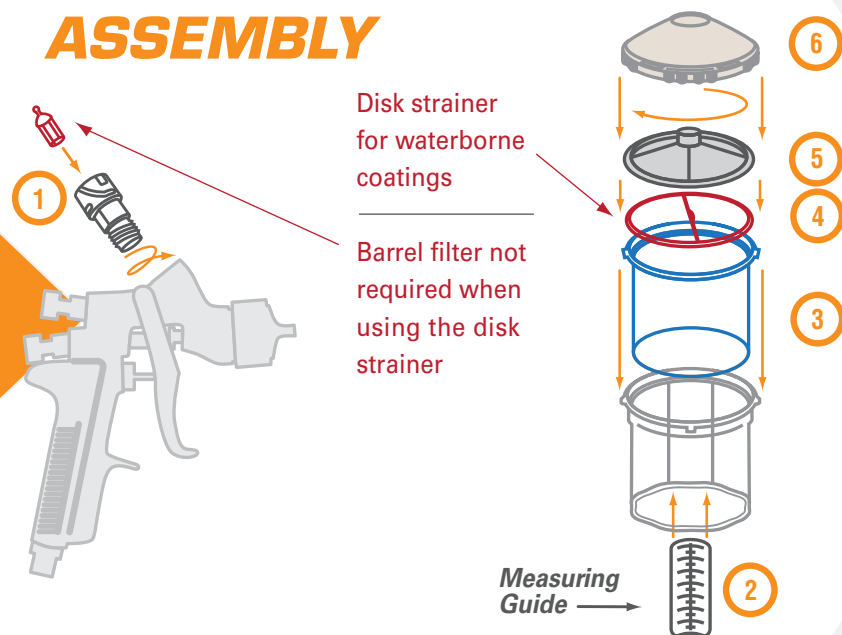
Self-Dispensing Packaging

Mount. Dispense. Discard. Conveniently packaged for production shops.

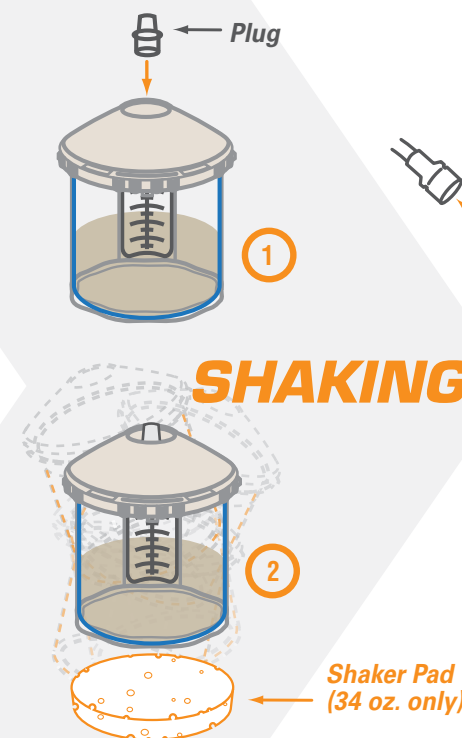


HOW DOES IT WORK?

ASSEMBLY



SHAKING



REFILLS

